

20 **LAVERDA**

SPARE PARTS

TABLE No 1 - CYLINDER HEAD - CYLINDER

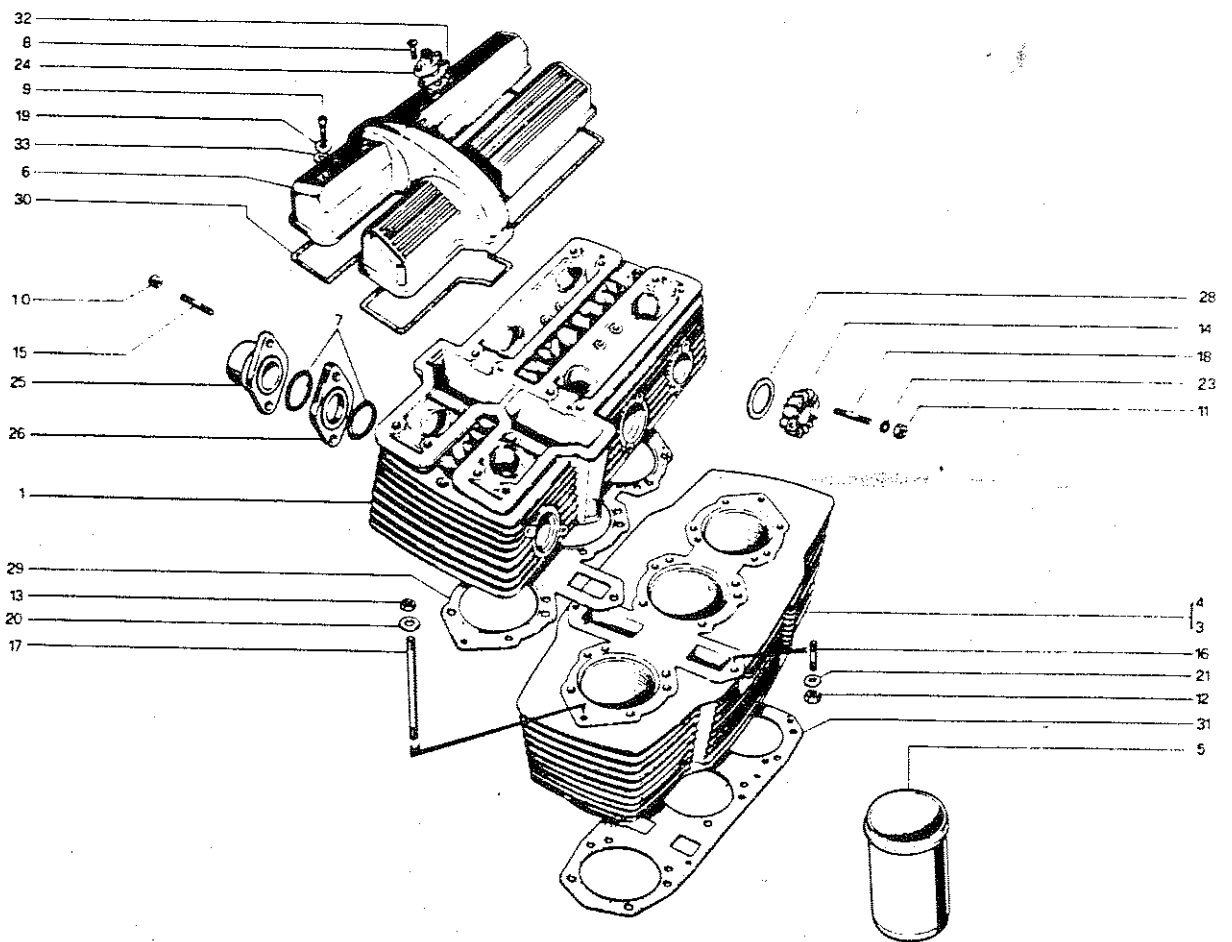
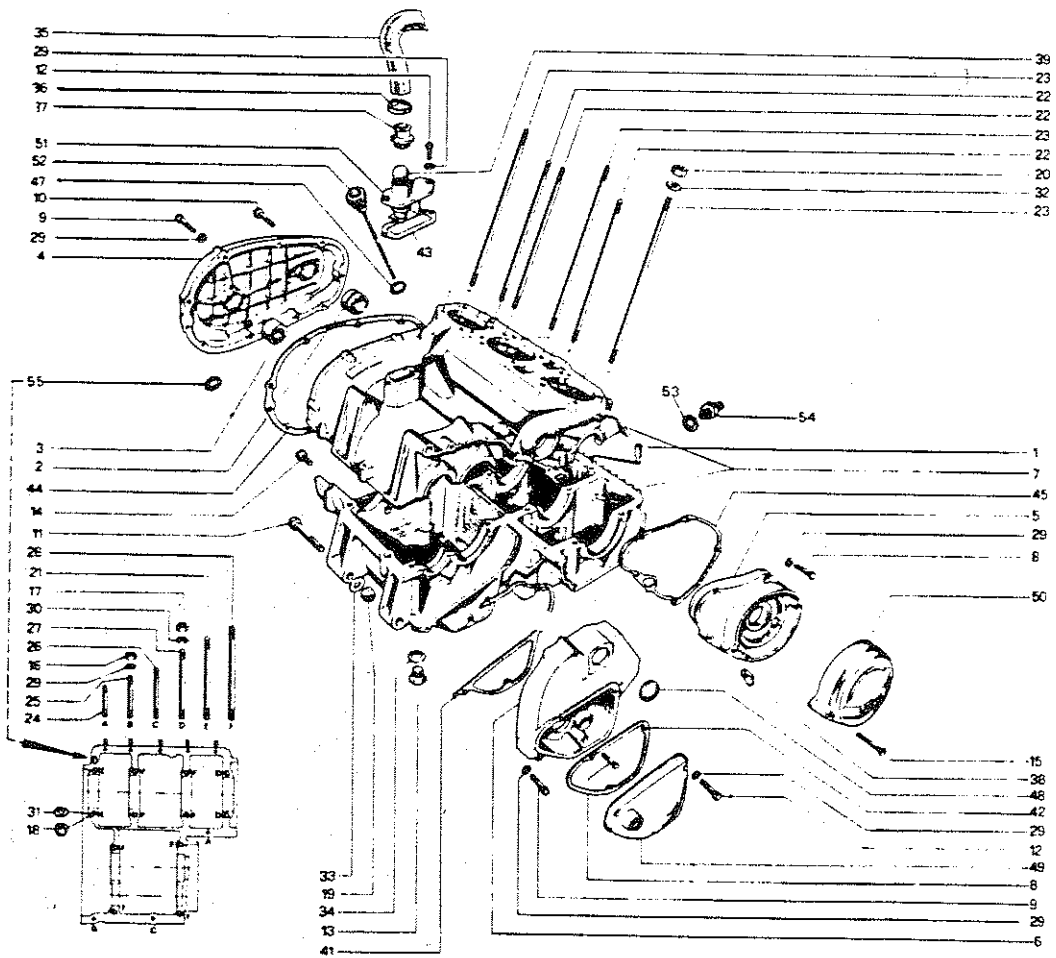


TABLE No 2 - CRANKCASE - COVERS

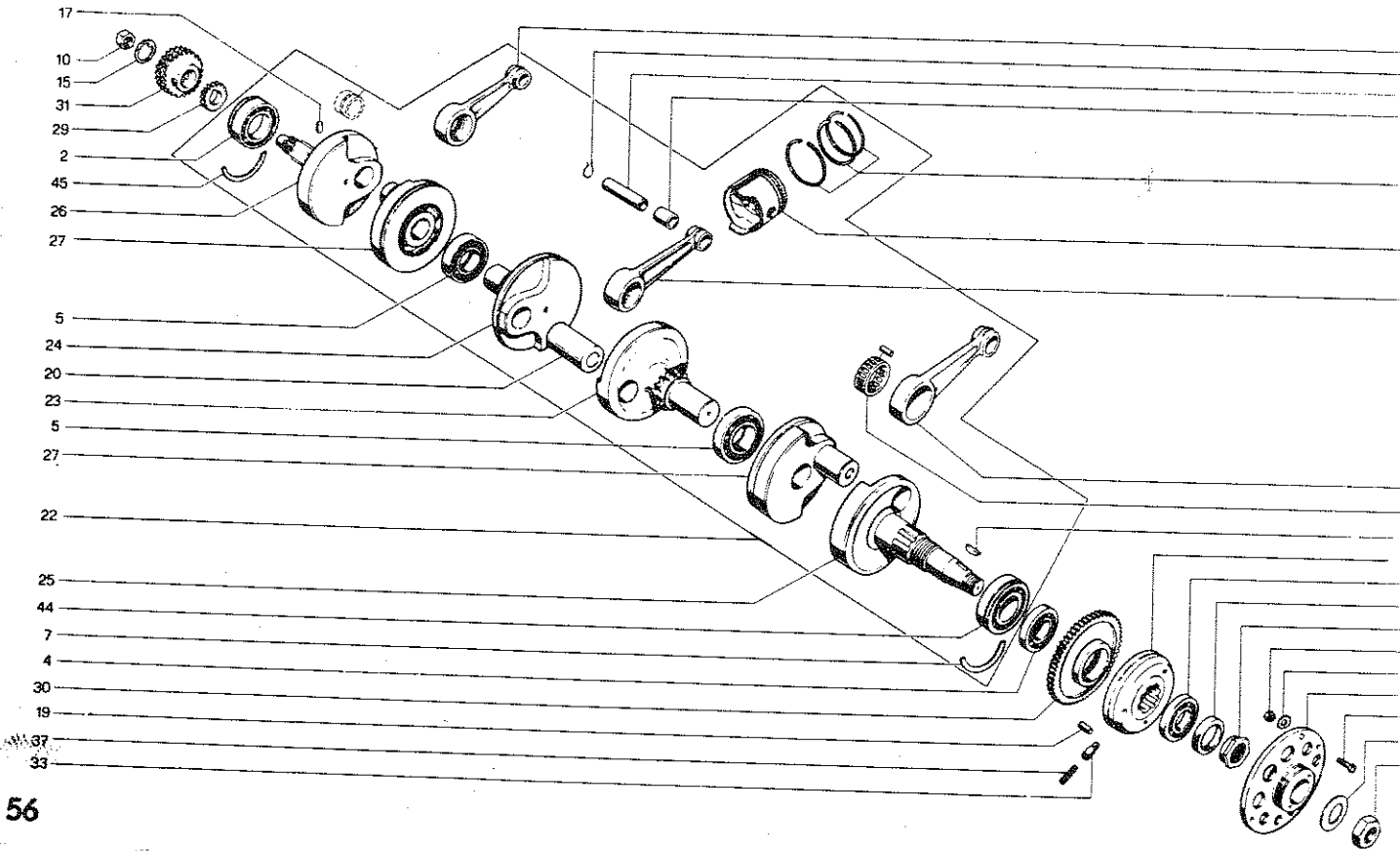


LAVERDA 1000 cc.

TABLE No 1 - CYLINDER HEAD - CYLINDER

Ref. Nr.	Code Nr.	Denomination	Ref. Nr.	Code Nr.	Denomination
	25101047 83	Cyl head w valve guides	17	31128623 53	Stud 7 x 104
	25201047 93	Cylinder w liners	18	31138502 32	Stud 7 x 38
4	25202045 11	Cylinder without liners	19	33111104 59	Copper washer
5	25203046 22	Cylinder liner	20	33111750 12	Washer
6	25306051 76	Camshaft cover	21	33112060 34	Washer
7	55130037 96	O-ring gasket OR 3150	23	33120007 43	Spring washer Ø 7
8	30338043 96	Screw 5 x 16	24	37412000 98	Rev counter cable flange
9	30362063 59	Allen screw 6 x 16	25	29001036 66	Inlet manifold
10	30532143 57	Nut 7 mm selflocking	26	55120064 32	Spacer
11	30510147 39	Nut 7 mm	28	55110138 96	Exhaust pipe gasket
12	30590230 22	Nut 8 mm	29	55120050 27	Cylinder head gasket
13	30530143 37	Nut 7 mm selflocking	30	55120055 23	Cam cover gasket
14	30620110 13	Exhaust pipe flange	31	55120056 24	Cylinder base gasket
15	31138483 22	Stud 7 x 34	32	55120062 39	Revcounter flange gasket
16	31123743 24	Stud 8 x 36	33	55110506 68	Fibre washer

TABLE No 3 - CRANKSHAFT

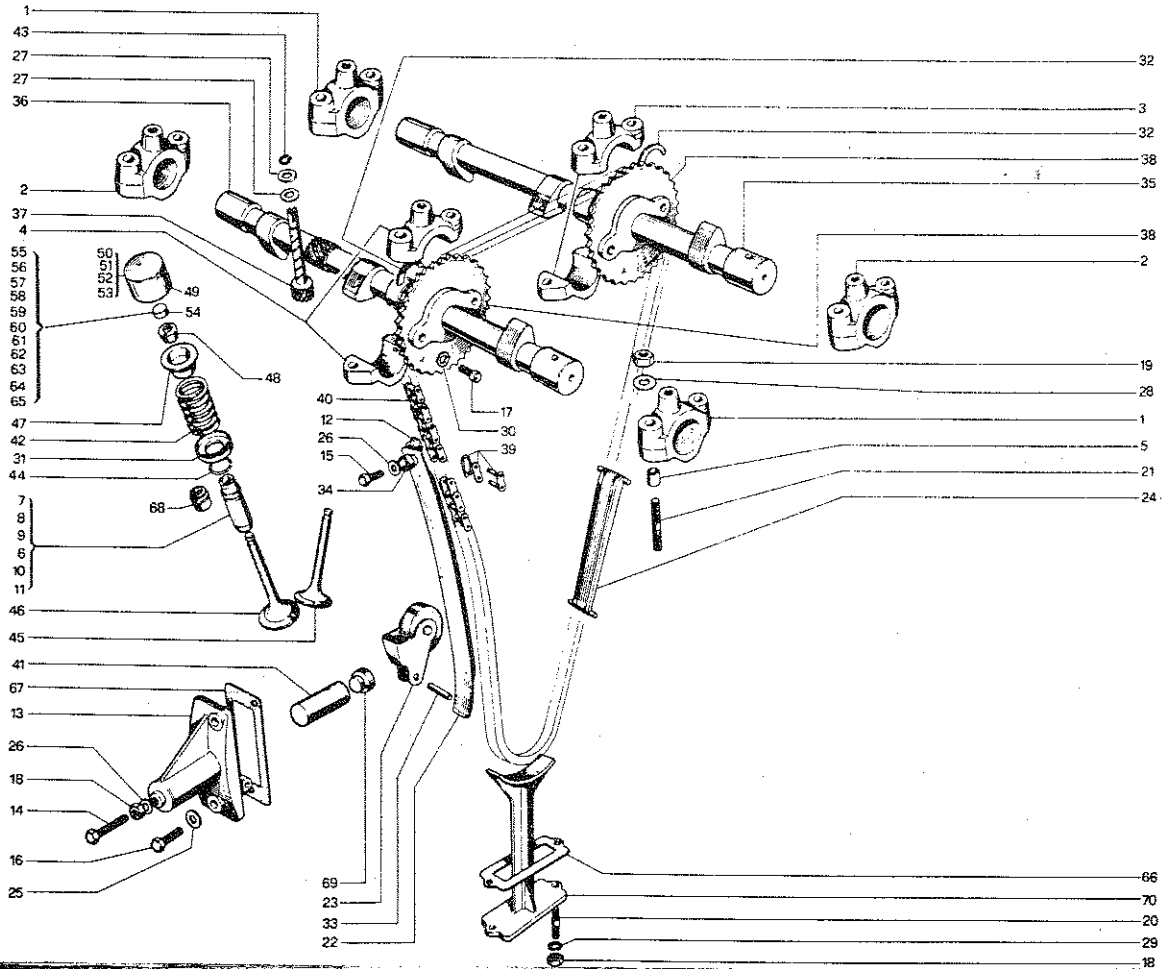


LAVERDA 1000 cc.

TABLE No 2 - CRANKCASE - COVER

Ref. Nr.	Code Nr.	Denomination	Ref. Nr.	Code Nr.	Denomination
1	21601005 96	Centralizing bush	27	31133313 81	Stud 8 x 115
2	22803403 49	Needle bearing NK120/16	28	31133653 34	Stud 8 x 157
3	22804443 99	Needle bearing NK 22/16	29	33111010 64	Washer
4	25301053 28	Transmission case	30	33112040 14	Washer
5	25303054 49	Starter engine cover	31	33112144 19	Copper washer
6	25304055 51	Gearbox cover	32	33112770 42	Washer
7	25400043 18	Crankcase	33	33113050 34	Washer
8	30212143 25	Bolt 6 x 35	34	33114124 19	Copper washer
9	30212173 55	Bolt 6 x 45	35	36200115 63	Ventilating tube
10	30222123 96	Bolt 6 x 30	36	37120900 49	Clamp 24 - 36
11	30224223 27	Bolt 10 x 70	37	37310300 62	Connection
12	30232103 77	Bolt 6 x 20	38	50401074 84	Cable rubber seal
13	30490115 86	Oil drain plug	39	52504005 57	Valve ball
14	30490302 75	Special screw 6 x 15	41	55120001 68	Gasket
15	30490410 84	Screw 6 x 40	42	55120007 65	Gasket
16	30510123 15	Nut 6 mm	43	55120053 21	Gasket
17	30510163 55	Nut 8 mm	44	55120057 25	Gasket
18	30523162 85	Dome nut 8 mm	45	55120058 26	Gasket
19	30531203 98	Nut 10 mm. selflocking	47	55130013 72	O-ring OR 3056
20	30590321 14	Nut 9 mm	48	58000102 52	Inspection cap
21	31123663 43	Stud 8 x 145	49	58110101 62	Selector cover
22	31128943 76	Stud 9 x 227	50	58110116 77	Magneto flywheel cover
23	31128963 96	Stud 9 x 259	51	58110119 70	Ventilation cover
24	31132213 79	Stud 6 x 65	52	61904045 56	Oil stick
25	31132222 88	Stud 6 x 70	53	33113524 94	Copper washer
	31132632 93	Stud 6 x 78	54	36210211 61	Oil hose connection
			55	55130015 94	O-ring

TABLE No 4 - CAMSHAFTS - VALVES

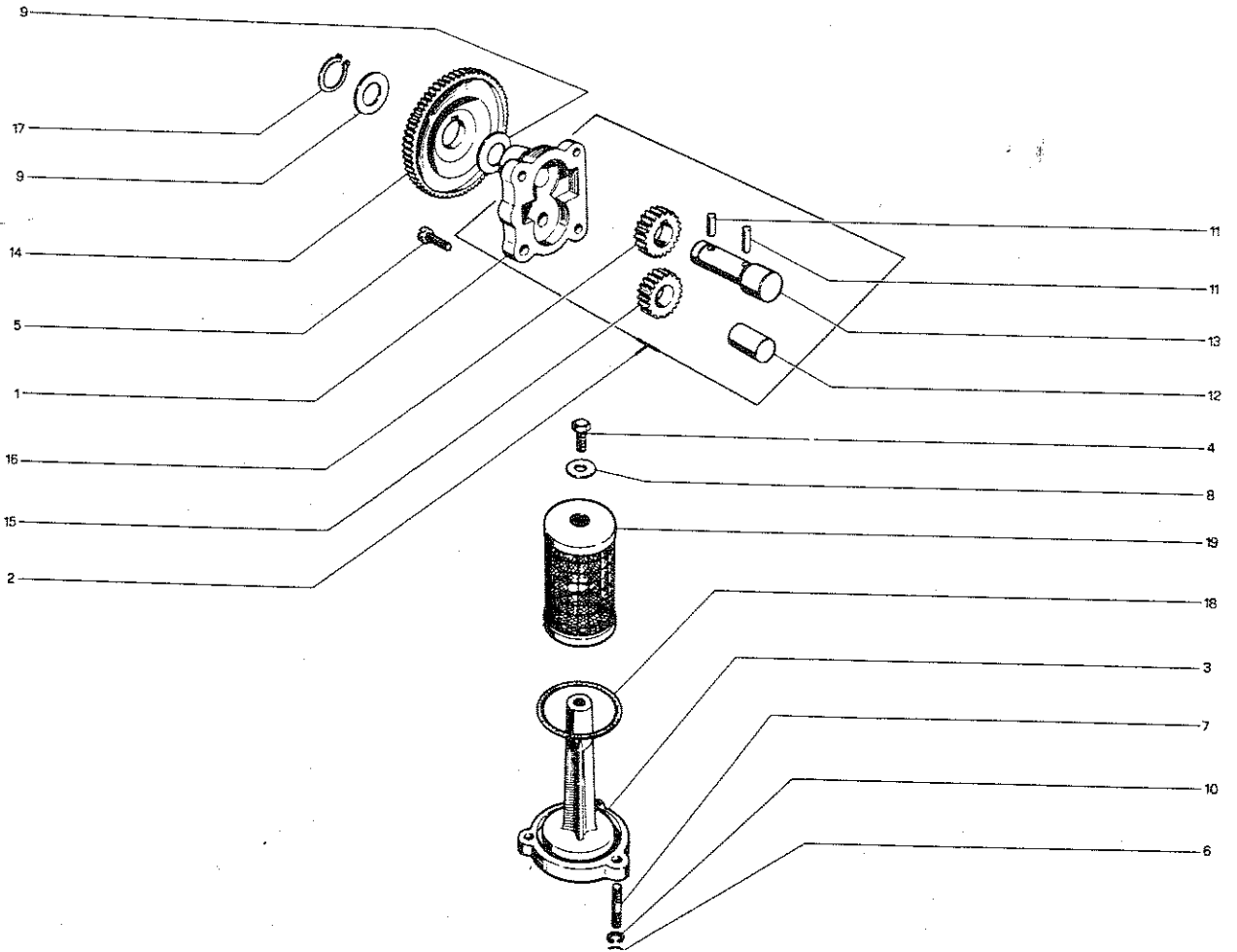


AVERDA 1000 cc.

TABLE No 3 - CRANKSHA

Ref. Nr.	Code Nr.	Denomination	Ref. Nr.	Code Nr.	Denomination
1	21524050 73	Small end bush	24	40301042 32	Left central flywheel
2	22207351 76	Roller bearing 35 x 80 x 21	25	40302041 41	Right outer flywheel
3	22107301 16	Ball bearing 30 x 55 x 9	26	40302043 43	Left outer flywheel
4	22107351 66	Ball bearing 35 x 62 x 9	27	40302044 44	Left and right side flywheels
5	22206351 66	Roller bearing 35 x 72 x 17	28	40701010 40	Freewheel
6	22809723 33	Roller cage 36 x 46 x 23	29	41111058 21	Oil pump drive gear
7	22810351 67	Half ring	30	41119060 22	Starter engine driven gear
8	30232063 46	Bolt 6 x 16	31	41213036 38	Primary chain sprocket
9	30510123 15	Nut 6 mm	32	43101025 88	Connecting rod
10	30590115 96	Nut	33	43501001 14	Plunger
11	30590116 97	Nut	34	43504040 83	Piston
12	30590228 10	Flanged nut	35	43504042 85	Piston 1st oversize
13	33116150 65	Washer	36	43504043 86	Piston 2nd oversize
14	33131006 53	Spring washer	37	50120001 63	Freewheel spring
15	33150001 49	Lock washer	39	50320243 37	Gudgeon pin clip
16	33410610 81	Woodruff key	40	55217048 95	Oil seal 35 x 47 x 7
17	34110128 65	Peg	41	55281075 69	Piston ring set Std
18	34120213 52	Gudgeon pin	42	55281076 60	Piston ring set 1st Oversize
19	34131608 53	Roller Ø 8 x 8	43	55281077 62	Piston ring set 2nd Oversize
20	34220213 62	Crankpin Ø 36	44	22101351 96	Ball bearing 35 x 80 x 21
21	37412600 95	Magneto flywheel support	45	33270005 56	Half ring
22	40102076 56	Crankshaft, complete			
23	40301040 30	Right central flywheel			

TABLE No 5 - OIL PUMP

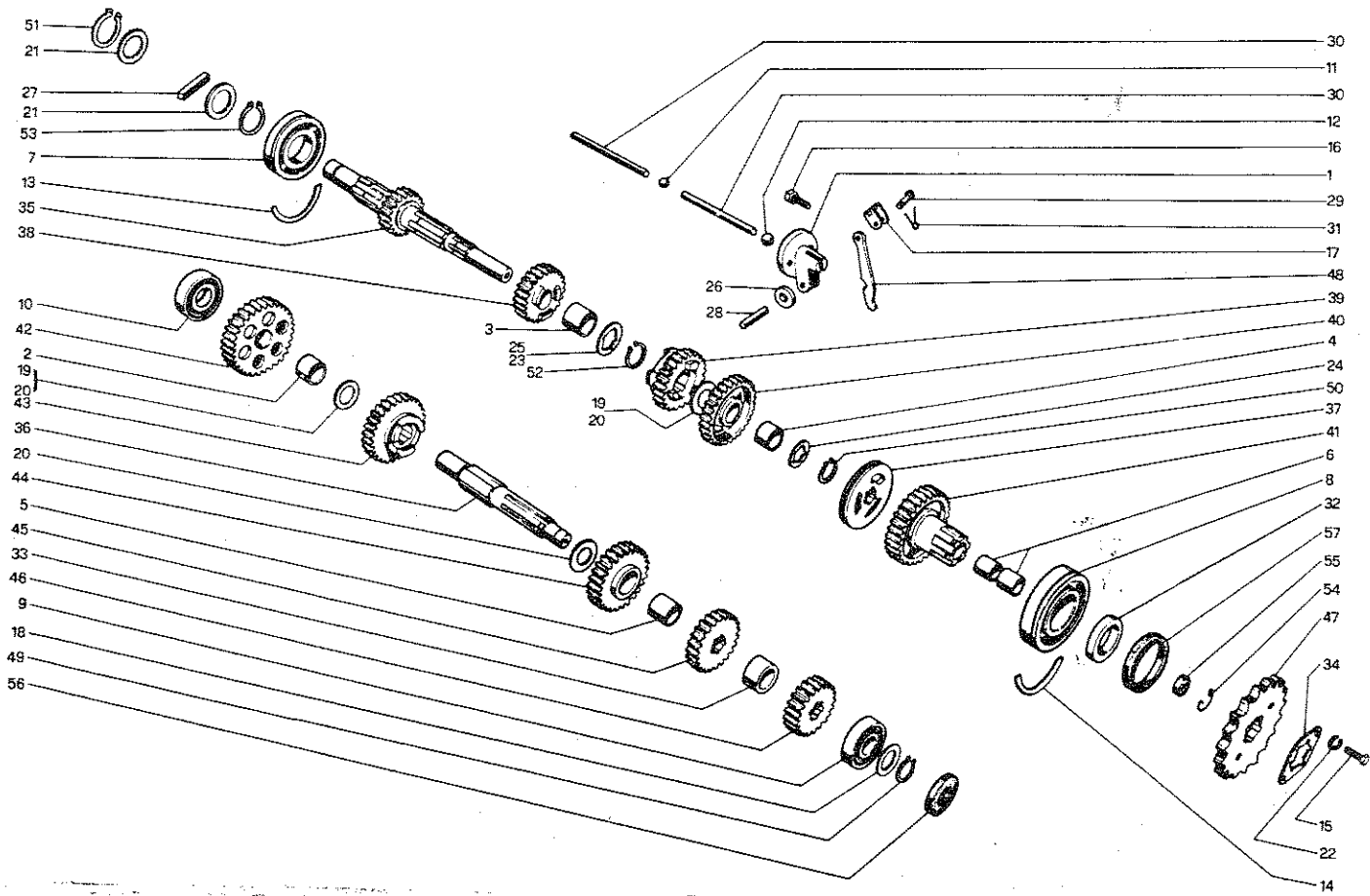


LAVERDA 1000 cc.

TABLE No 4 - CAMSHAFTS - VALVE

f. Nr.	Code Nr.	Denomination	Ref. Nr.	Code Nr.	Denomination
1	21103074 45	Camshaft support	36	40101071 41	Inlet camshaft
2	21103075 46	Camshaft support	37	40103074 64	Revcounter shaft
3	21103087 58	Central exhaust cam support	38	41211037 19	Camchain sprockets
4	21103094 65	Central inlet cam support	39	41391109 82	Chain link
5	21601081 82	Centralizing bush	40	41310951 33	Timing chain
6	21603097 28	Exhaust valve guide Std	41	43506041 04	Chain tensioner piston
7	21603098 29	Inlet valve guide Std	42	50120045 17	Valve spring
8	21603099 21	Inl valve guide 1st oversize	43	50310116 98	Circlip Ø 8
9	21603100 22	Inl valve guide 2nd oversize	44	50320227 12	Clip
10	21603101 23	Exh valve guide 1st oversize	45	52501038 51	Exhaust valve
11	21603102 24	Exh valve guide 2nd oversize	46	52501039 52	Inlet valve
12	21608086 67	Bushing	47	52502035 67	Valve spring collar
13	25305050 65	Chain tensioner cover	48	52503036 78	Valve spring keepers
14	30212163 45	Bolt 6 x 40	49	52506034 06	Cam follower Std
15	30232063 46	Bolt 6 x 16	50	52506052 34	Cam follower 1st oversize
16	30232083 66	Bolt 6 x 20	51	52506053 35	Camfollower 2nd oversize
17	30238403 41	Bolt 7 x 12	52	52506054 36	Cam follower 3rd oversize
18	30510123 15	Nut 6 mm	53	52506055 37	Cam follower 4th oversize
19	30510163 55	Nut 8 mm	54	52507037 29	Complete set valve shims
20	31122122 86	Stud 6 x 30	55	52507041 33	Shim 1,85 mm
21	31123733 14	Stud 8 x 58	56	52507042 34	Shim 1,93 mm
22	31310213 77	Chaintensioner blade	57	52507043 35	Shim 2,00 mm
23	31310214 78	Chaintensioner wheel	58	52507044 36	Shim 2,07 mm
24	31310312 77	Antivibration strap	59	52507045 37	Shim 2,15 mm
25	33111010 64	Washer	60	52507046 38	Shim 2,23 mm
26	33111014 68	Copper washer	61	52507047 39	Shim 2,30 mm
27	33112051 25	Washer	62	52507048 31	Shim 2,38 mm
28	33112160 35	Washer	63	52507049 32	Shim 2,45 mm
29	33120006 42	Spring washer 6 mm	64	52507050 42	Shim 2,52 mm
30	33131007 54	Spring washer	65	52507051 43	Shim 2,60 mm
31	33270046 97	Lower valve spring collar	66	55120051 28	Gasket
32	33270044 95	Half ring	67	55120052 29	Gasket
33	34110125 62	Peg	68	55120063 31	Inlet valve seal
34	34510053 48	Distance piece	69	58030114 67	Chain tensioner tap
35	40101070 40	Exhaust camshaft	70	58110115 76	Camchain protection

TABLE No 6 - GEARBOX

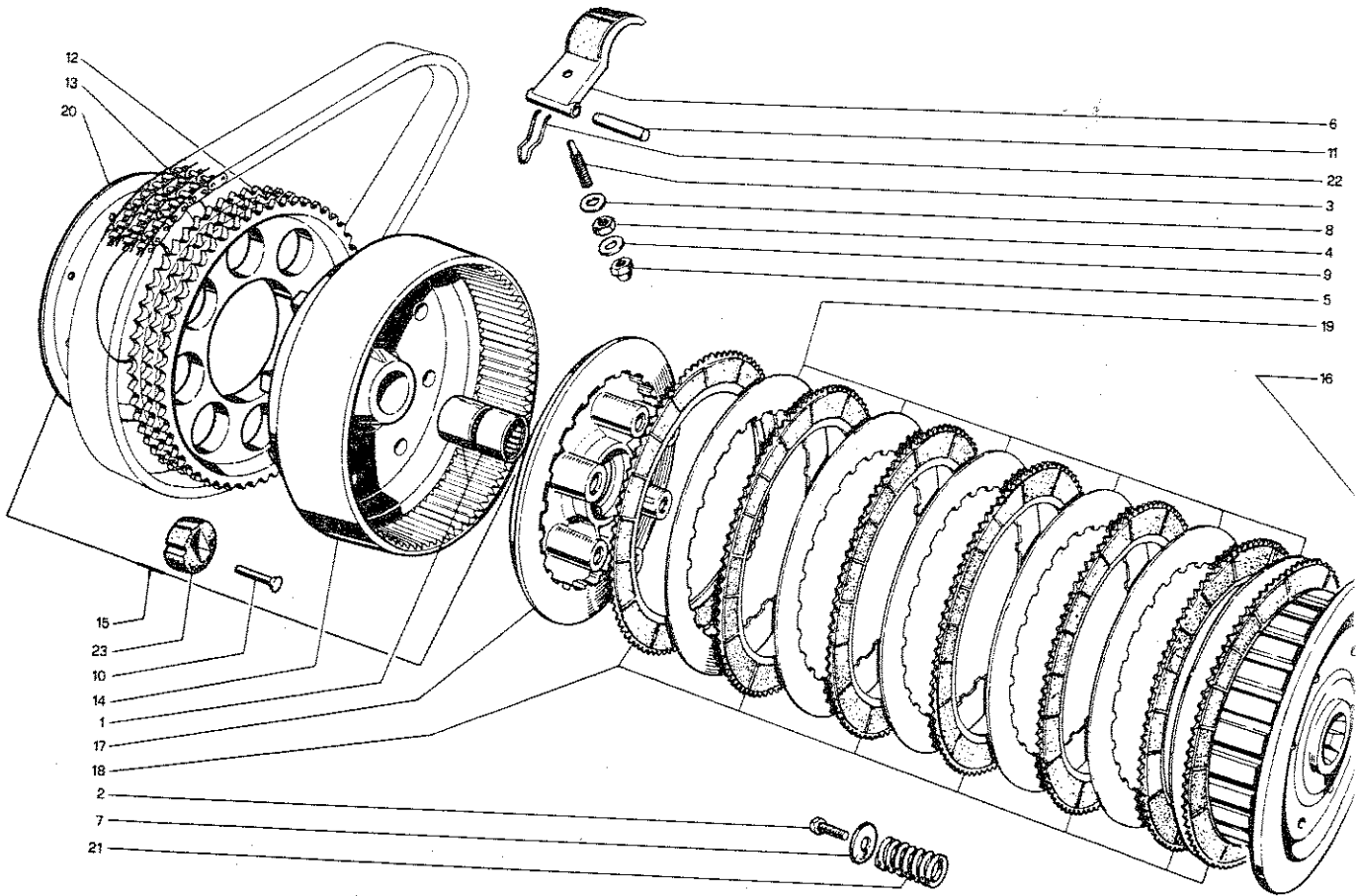


LAVERDA 1000 cc.

TABLE No 5 - OIL PUM

Ref. Nr.	Code Nr.	Denomination	Ref. Nr.	Code Nr.	Denomination
1	21104070 51	Oil pump body	11	34110110 56	Peg
2	21104086 67	Oil pump compl.	12	34110126 63	Peg
3	25302052 37	Oil filter support	13	40105072 82	Oil pump shaft
4	30232043 26	Bolt 6 x 12	14	41111057 29	Outside oil pump gear
5	30318041 92	Screw 5 x 16	15	41111062 34	Driven inside gear
6	30510123 15	Nut 6 mm	16	41111063 35	Driving inside gear
7	31122122 86	Stud 6 x 30	17	50310124 16	Circlip Ø 12 mm
8	33111010 64	Washer	18	55130044 13	O-ring gasket OR 149
9	33113591 71	Washer	19	62102041 43	Oil filter
10	33120006 42	Spring washer 6 mm			

TABLE No 7 - CLUTCH

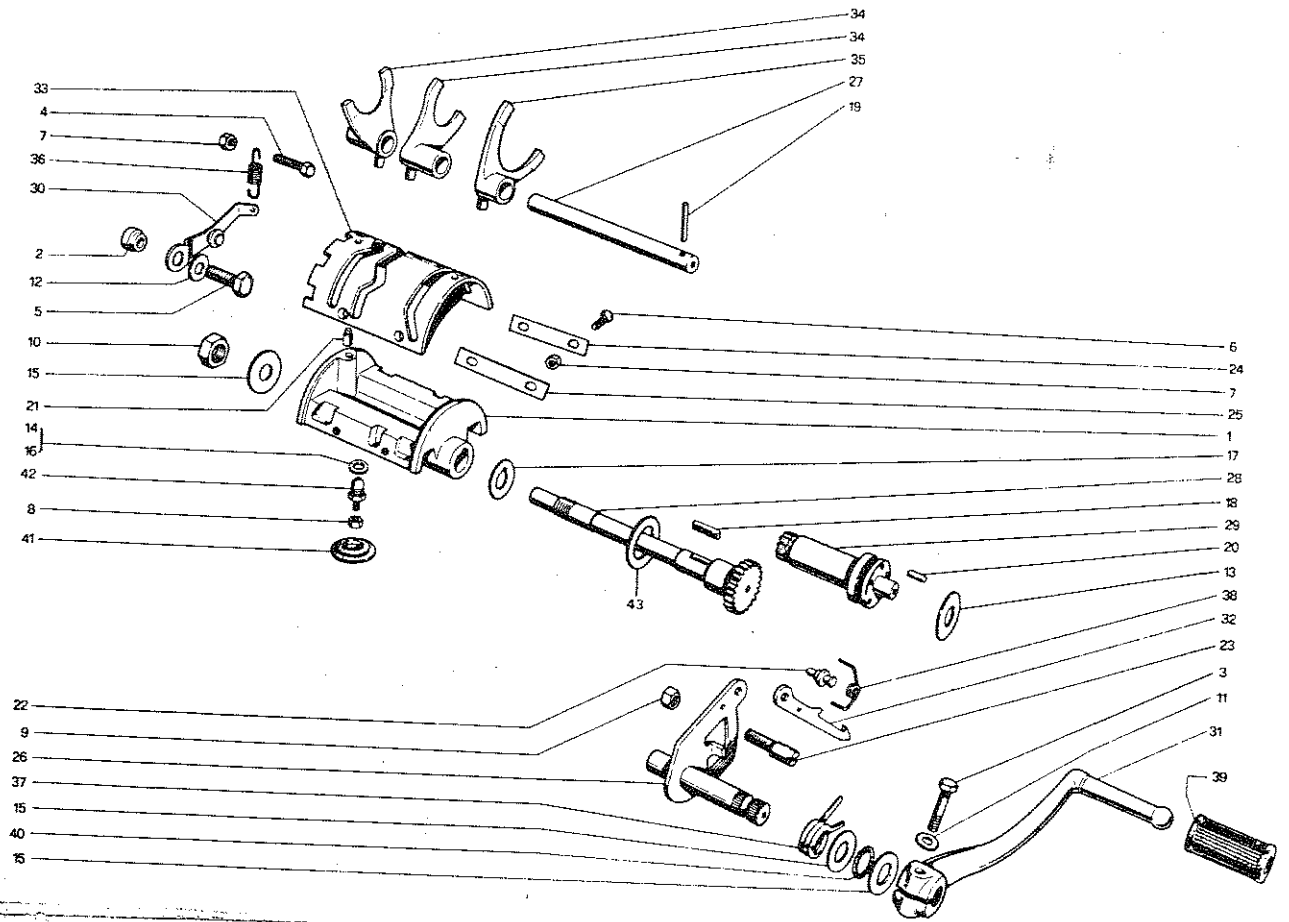


LAVERDA 1000 cc.

TABLE No 6 - GEARBOX

Ref. Nr.	Code Nr.	Denomination	Ref. Nr.	Code Nr.	Denomination
1	21108003 24	Support for clutch arm	30	34280212 67	Clutch pressure rod
2	21510102 75	Bush	31	34400415 84	Split pin
3	21510201 75	Bush	32	34510001 86	Spacer
4	21510202 76	Bush	33	34510002 87	Spacer
5	21510203 77	Bush	34	37410200 71	Lock washer
6	21510204 78	Bush	35	40112073 54	Main shaft
7	22101281 35	Ball bearing 28 x 68 x 18	36	40116008 29	Layshaft
8	22101321 66	Ball bearing 32 x 75 x 20	37	40402002 12	Lock collar
9	22207171 94	Roller bearing 17 x 47 x 14	38	41111006 68	Mainshaft gear 2nd
10	22207201 25	Roller bearing 20 x 52 x 15	39	41111007 69	Mainshaft gear 3rd
11	22801301 26	Steel ball 1/4"	40	41111008 61	Mainshaft gear 4th
12	22801361 86	Steel ball 5/16"	41	41111009 62	Chain sprocket gear
13	22810281 96	Half ring	42	41111010 72	Layshaft gear 1st
14	22810321 37	Half ring	43	41111011 73	Layshaft gear 2nd
15	30232043 26	Bolt 6 x 12	44	41111012 74	Layshaft gear 3rd
16	30232083 66	Bolt 6 x 20	45	41111013 75	Layshaft gear 4th
17	31220103 57	Clutch cable clip	46	41111014 76	Layshaft gear 5th
18	33115030 34	Washer	47	41211005 77	Chain sprocket 19 T
19	33115751 53	Shim washer 0,5 mm	48	43301003 86	Clutch arm
20	33115761 63	Shim washer 1,0 mm	49	50310134 26	Circlip Ø 17 mm
21	33116201 17	Washer	50	50310140 32	Circlip Ø 20 mm
22	33120006 42	Spring washer 6 mm	51	50310144 36	Circlip Ø 22 mm
23	33140001 48	Shim washer 1,0 mm	52	50310150 42	Circlip Ø 25 mm
24	33140002 49	Washer	53	50310156 48	Circlip Ø 28 mm
25	33140003 41	Shim washer 0,5 mm	54	50320240 34	Clips
26	33270002 53	Washer for clutch arm	55	55211219 98	Oil seal 6 x 19 x 7 mm
27	33430642 25	Key	56	55213440 51	Oil seal 17 x 40 x 7 mm
28	34110104 41	Peg	57	55219060 46	Oil seal 45 x 60 x 7 mm
29	34210104 51	Peg			

TABLE No 8 - GEAR SELECTOR MECHANISM

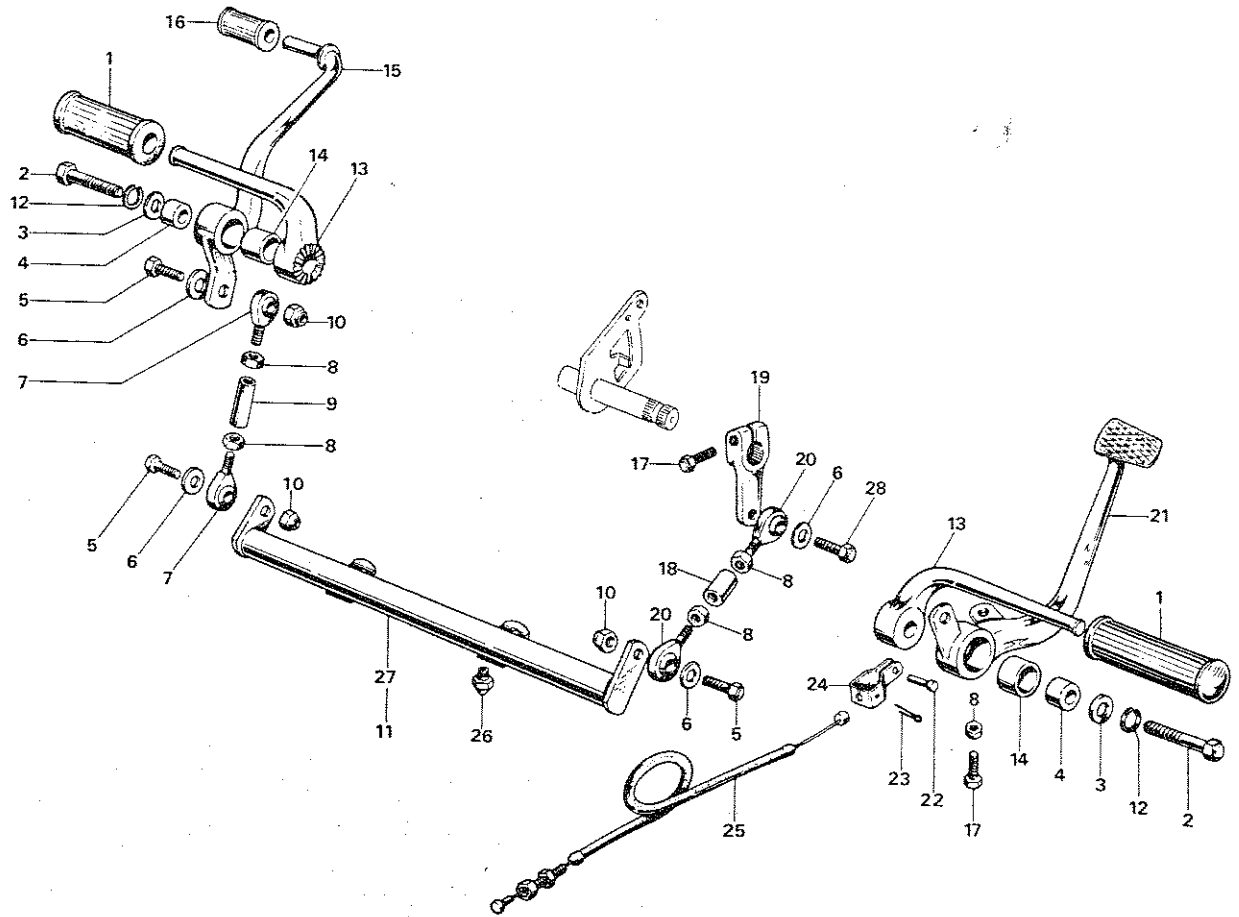


AVERDA 1000 cc.

TABLE No 7 - CLUTCH

Ref. Nr.	Code Nr.	Denomination	Ref. Nr.	Code Nr.	Denomination
1	22805443 09	Needle bearing 22 x 28 x 16	13	41330938 13	Primary chain
2	30232083 66	Bolt 6 x 20	14	46501060 76	Clutch house
3	30490216 88	Adjusting screw	15	46501069 76	Clutch house compl. w sprocket
4	30512203 16	Nut 10 mm	16	46502072 98	Clutch center
5	30523202 26	Dome nut 10 mm	17	46503071 07	Pressure plate
6	31310217 72	Chain tensioner	18	46504070 26	Friction disc
7	33111060 24	Washer	19	46505065 22	Steel disc
8	33113034 18	Washer	20	46506063 39	Clutch house cover
9	33113044 28	Washer	21	50120006 68	Clutch spring
10	33621053 68	Rivet	22	50190701 68	Tensioner spring
11	34110103 49	Peg	23	50405017 67	Rubber damper
12	41213035 37	Chain sprocket			

TABLE No 9 - GEAR CHANGE AND BRAKE LEVERS (with left side gear change)

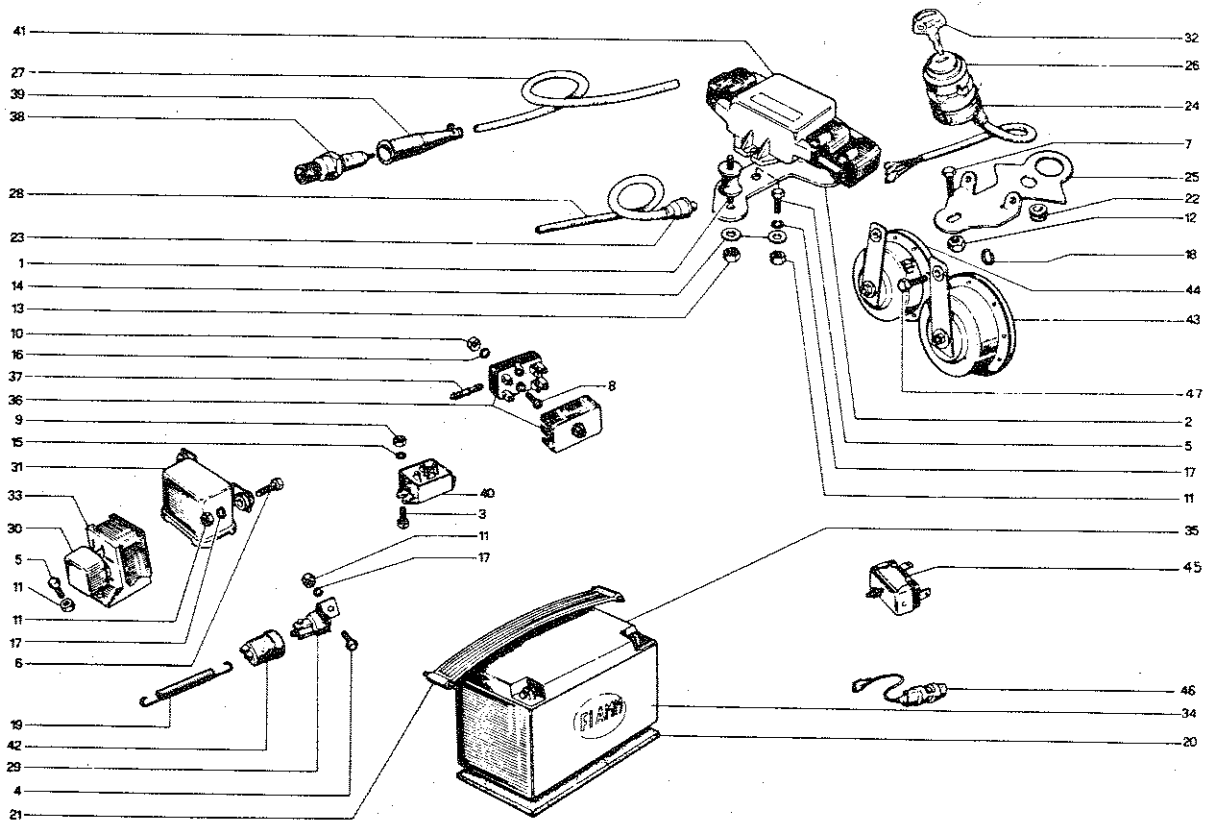


AVERDA 1000 cc.

TABLE No 8 - GEAR SELECTOR MECHANISM

Ref. Nr.	Code Nr.	Denomination	Ref. Nr.	Code Nr.	Denomination
1	21101073 24	Selector drum hub	22	34220410 61	Selector arm peg
2	21602006 17	Spacer	23	34250102 53	Eccentric screw
3	30232103 77	Bolt 6 x 25	24	37180100 47	Securing strip
4	30232123 97	Bolt 6 x 30	25	37180200 48	Securing strip
5	30233093 86	Bolt 8 x 22	26	40117080 21	Gear shift lever spindle
6	30332082 75	Screw 6 x 20	27	40118001 42	Shifter fork spindle
7	30510123 15	Nut 6 mm	28	40119078 39	Selector drum spindle
8	30511087 88	Nut 4 mm	29	40120075 37	Selector shaft
9	30511163 65	Nut 8 mm	30	43304006 29	Selector drum locking arm
10	30515283 36	Selector drum locking nut	31	43305069 93	Gear change lever
11	33111010 64	Washer	32	43307002 55	Selector arm
12	33112040 14	Washer	33	43601035 58	Selector drum
13	33113561 41	Washer	34	43701001 34	Shifter fork, 1-2-3-4 gear
14	33114115 91	Shim washer 0,5 mm	35	43701002 35	Shifter fork, 5 gear
15	33114120 15	Washer	36	50190101 62	Spring
16	33114125 11	Shim washer 1,0 mm	37	50190201 63	Spring
17	33160005 45	Washer	38	50190218 70	Spring
18	33420520 91	Key	39	50404061 01	Rubber
19	34110106 43	Peg	40	55130013 72	O-ring gasket OR 30 56
20	34130812 58	Peg 4 x 12	41	58000102 52	Rubber cover
21	34220304 54	Steering peg	42	71301001 22	Switch
			43	33116161 76	Steel washer

TABLE No 10 - ELECTRIC EQUIPMENT

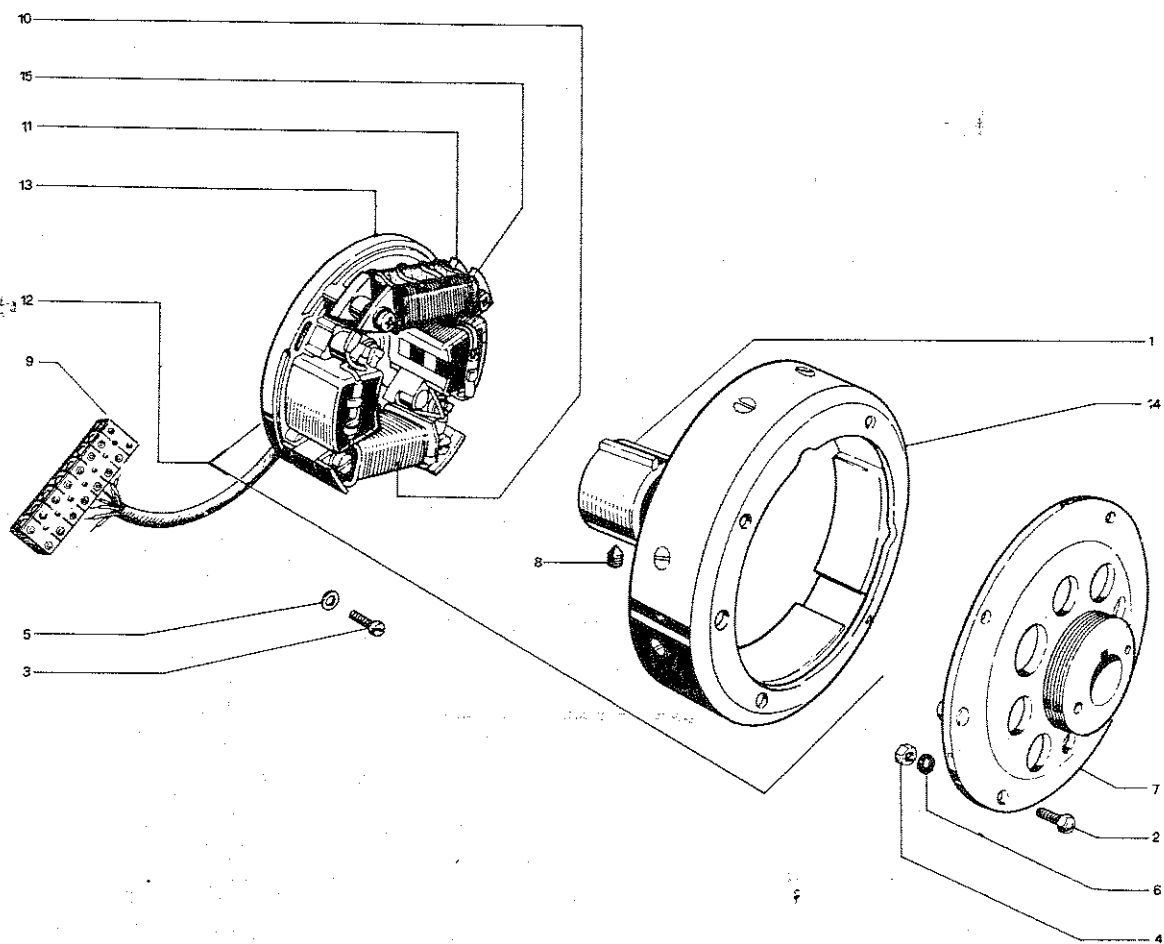


AVERDA 1000 cc.

TABLE No 9 - GEAR CHANGE AND BRAKE LEVERS
(with left side gear change)

Ref. Nr.	Code Nr.	Denomination	Ref. Nr.	Code Nr.	Denomination
1	50404016 56	Footpeg rubber	15	43305076 09	Gear change lever
2	30215203 16	Bolt 12 x 60	16	50404061 01	Rubber
3	33270107 59	Plain washer	17	30232083 66	Bolt 6 x 20
4	34510152 48	Spacer	18	31220350 16	Right side rod
5	30232103 77	Bolt 6 x 25	19	43306071 24	Selector shaft lever
6	33111020 74	Plain washer	20	46101020 86	Gear change ball joint, RHS
7	46101021 87	Gear change ball joint, LHS	21	43309075 58	Brake pedal
8	30510123 15	Nut 6 mm	22	33611226 33	Rivet
9	31220351 17	Left side rod	23	34400520 99	Cotter pin
10	30530123 17	Selflocking nut 6 mm	24	31220102 56	Cable clip
11	61942062 57	Transformation kit, complete	25	36110215 55	Rear brake cable
12	33120012 57	Spring washer, 12 mm	26	61918201 55	Grease nipple M 6 x 1
13	61902060 51	Footrest	27	34220132 89	Tube and spindle
14	21510106 79	Bushing	28	30212073 54	Bolt 6 x 18

TABLE No 11 - ELECTRONIC PLATE

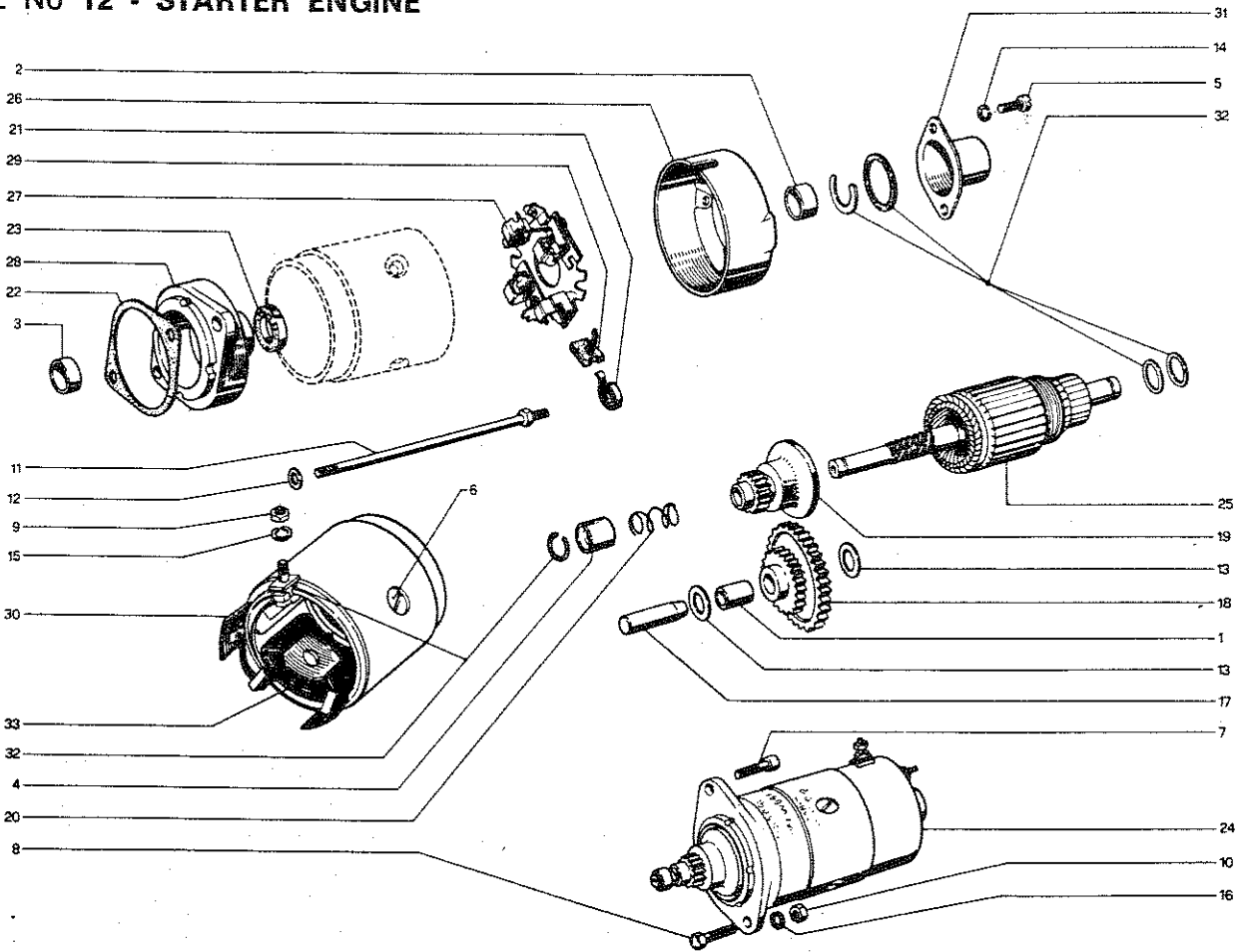


LAVERDA 1000 cc.

TABLE No 10 - ELECTRIC EQUIPMEN

Ref. Nr.	Code Nr.	Denomination	Ref. Nr.	Code Nr.	Denomination
1	21127058 62	Rubber support	25	60205030 70	Horn support
2	21131097 42	Coil support	26	71308025 26	Ignition lock
3	30211043 14	Bolt 4 x 12	27	71102084 95	Cable for outer spark plugs
4	30232043 26	Bolt 6 x 12	28	71102085 96	Cable for central spark plug
5	30232063 46	Bolt 6 x 16	29	71301998 29	Stop light switch
6	30232083 66	Bolt 6 x 20	30	71305022 83	Engine stop relay
7	30233093 86	Bolt 8 x 22	31	71306993 74	Starter engine relay
8	30318041 92	Screw 5 x 16	32	71309024 35	Key
9	30510083 74	Nut 4 mm	33	71315023 85	Relay support
10	30510103 85	Nut 5 mm	34	72402017 59	Battery
11	30510123 15	Nut 6 mm	35	72403018 61	Battery cover
12	30510163 55	Nut 8 mm	36	73101015 18	Fuse box
13	30530123 17	Selflocking nut 6 mm	37	73102998 02	Fuse
14	33111010 64	Washer	38	73201013 26	Spark plug
15	33110340 87	Washer	39	73202011 34	Spark plug cap
16	33120005 41	Spring washer 5 mm	40	73401024 57	Rectifier
17	33120006 42	Spring washer 6 mm	41	73502022 75	Electronic distribution box
18	33120008 44	Spring washer 8 mm	42	76109977 64	Stop switch cap
19	50190103 64	Spring	43	76502015 62	Right side horn
20	50401069 79	Rubber plate	44	76502016 63	Left side horn
21	50403004 34	Rubber band	45	71316006 78	Flasher unit
22	58200115 85	Grommet	46	73103016 39	Diode
23	58100110 79	Rubber cap	47	30233053 46	Bolt 8 x 14
24	58100113 73	Rubber cap			

TABLE No 12 - STARTER ENGINE

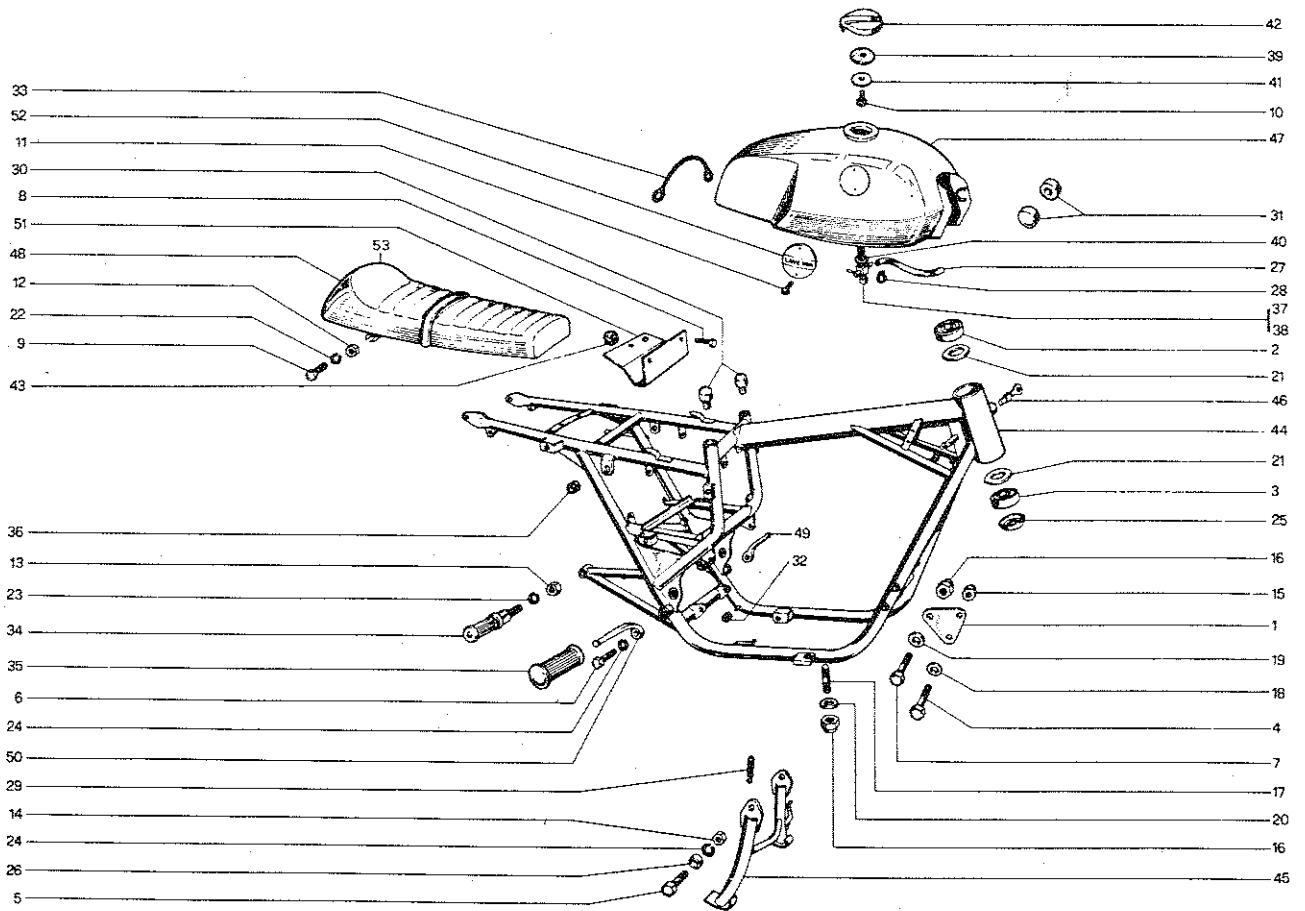


LAVERDA 1000 cc.

TABLE No 11 - ELECTRONIC PLATE

Ref.	Code Nr.	Denomination	Ref. Nr.	Code Nr.	Denomination
1	21602103 15	Impuls cam	9	71201037 48	Connections
2	30232063 46	Bolt 6 x 16	10	73303033 76	Charging coil
3	30318043 94	Screw 5 x 16	11	73302034 67	Lighting coil
4	30510123 15	Nut 6 mm	12	77100006 84	Plate with flywheel compl.
5	33110710 52	Washer	13	77110006 85	Electronic plate compl.
6	33131006 53	Spring washer	14	77120006 86	Flywheel magneto
7	37412600 95	Flywheel support	15	73304035 88	Charging coil
8	30452013 18	Allen screw M 6			

TABLE No 13 - FRAME

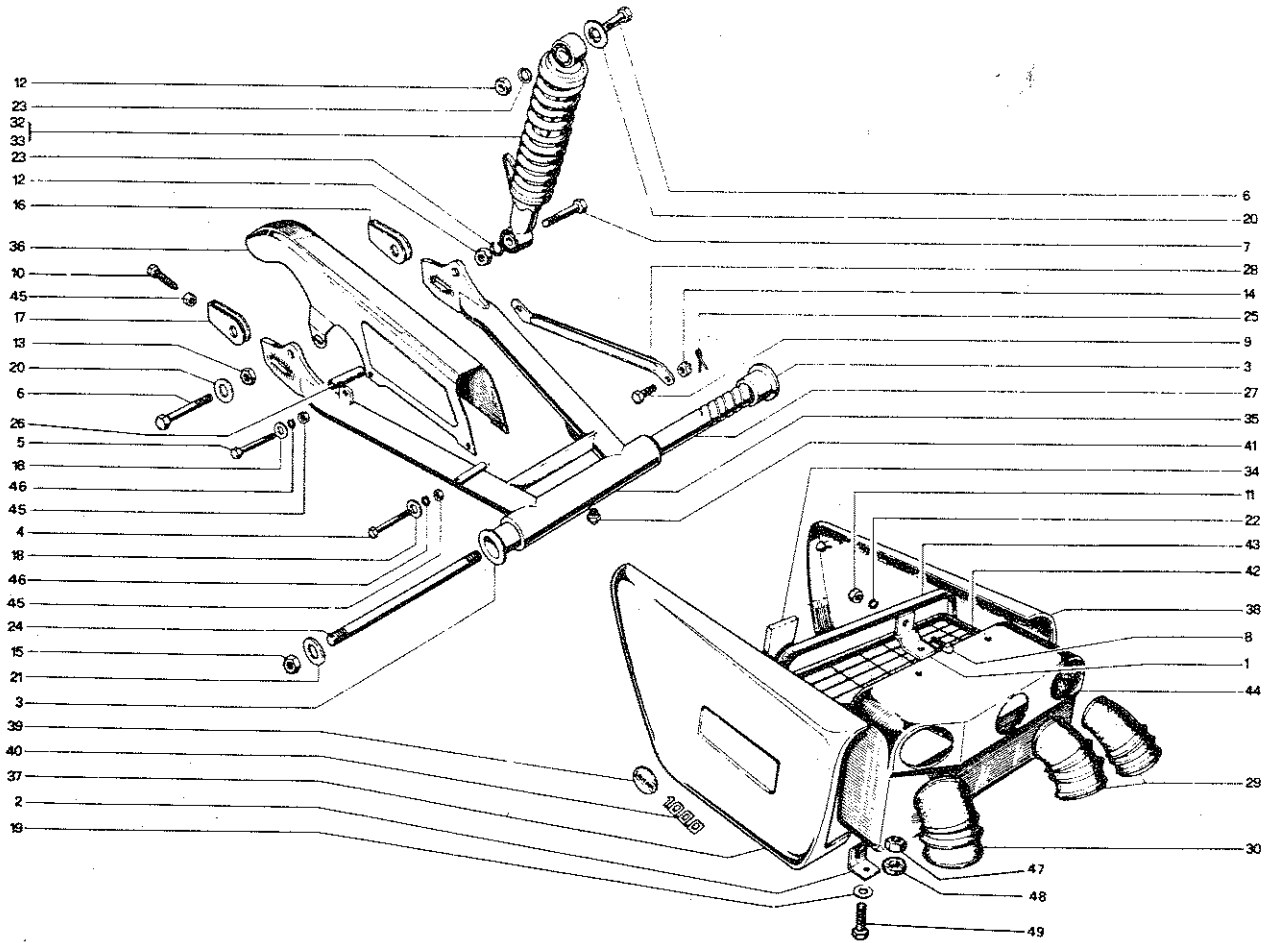


LAVERDA 1000 cc.

TABLE No 12 - STARTER ENGINE

Ref. Nr.	Code Nr.	Denomination	Ref. Nr.	Code Nr.	Denomination
1	21522040 43	Bush	18	41119059 02	Gears
2	21601090 91	Bush	19	41119064 26	Gear
3	21601091 92	Bush	20	50120049 12	Spring
4	21601092 93	Bush	21	50190505 60	Spring
5	30311013 84	Screw 4 x 6	22	55120054 22	Gasket
6	30332033 26	Screw 6 x 10	23	55213025 32	Oil seal 15 x 24 x 5
7	30363123 21	Allen screw 8 x 30	24	72201015 27	Starter engine compl.
8	30490119 80	Bolt 8 x 30	25	72206016 78	Armature
9	30511123 25	Nut 6 x 5	26	72208019 92	Cover
10	30590230 22	Nut 8 mm	27	72208021 03	Brush support
11	31210100 53	Stud	28	72208022 04	Armature support
12	33110700 42	Washer	29	72209020 22	Brush set
13	33113071 55	Washer	30	72210023 26	Isolating strips
14	33120004 49	Spring washer 4 mm	31	72211017 21	Cover
15	33120006 42	Spring washer 6 mm	32	72212018 32	Washer set
16	33120008 44	Spring washer 8 mm	33	72213024 57	Field winding
17	34110127 64	Spindle for gears			

TABLE No 14 - REAR FORK - AIR FILTERS

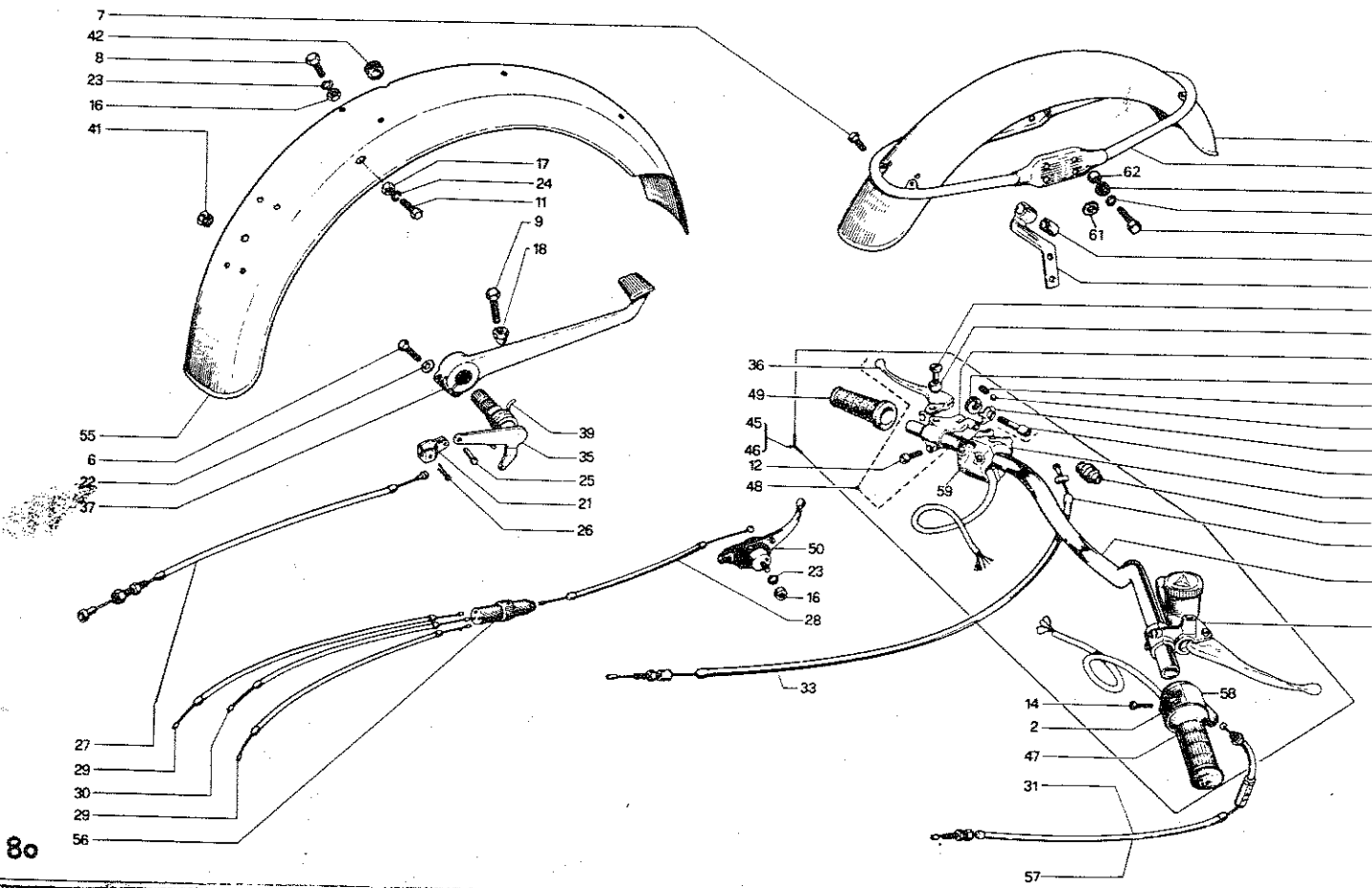


LAVERDA 1000 cc.

TABLE No 13 - FRAM

Ref. Nr.	Code Nr.	Denomination	Ref. Nr.	Code Nr.	Denomination
1	21124082 65	Engine support plates	27	36200201 59	Petrol tubes
2	22104251 35	Ball bearing 25 x 52 x 15	28	37110200 41	Clamp
3	22208251 85	Conical roller bearing 25 x 52 x 16,5	29	50190315 78	Spring
4	30213193 85	Bolt 8 x 55	30	50401070 80	Rubber plugs
5	30215123 35	Bolt 12 x 30	31	50402007 27	Rubber support
6	30215173 85	Bolt 12 x 45	32	50402072 92	Rubber for center stand
7	30224203 97	Bolt 10 x 60	33	50403011 41	Rubber strap
8	30232063 46	Bolt 6 x 16	34	50404015 55	Rear footrest
9	30233093 86	Bolt 8 x 22	35	50404016 56	Front footrest rubber
10	30310363 37	Screw 3 x 10	36	50406071 41	Grommet for cover
11	30341027 92	Screw 4 x 8	37	52101998 70	Petrol tap, left
12	30510163 55	Nut 8 mm	38	52101999 72	Petrol tap, right
13	30510203 86	Nut 10 mm	39	55110303 63	Gasket
14	30511243 46	Nut 12 mm	40	55110515 77	Fibre washer
15	30530163 57	Selflocking nut 8 mm	41	58020298 52	Tank cap disc
16	30531203 98	Selflocking nut 10 mm	42	58020299 53	Tank cap compl.
17	31190030 71	Stud 10 x 45	43	58200197 77	Grommet
18	33112040 14	Washer	44	60101095 85	Frame
19	33113050 34	Washer	45	60106101 42	Center stand
20	33113080 64	Washer	46	60115999 30	Steering lock
21	33117300 27	Washer	47	61101040 31	Petrol tank
22	33120008 44	Spring washer 8 mm	48	61202035 46	Seat
23	33120010 55	Spring washer 10 mm.	49	61902054 45	Left side footrest
24	33120012 57	Spring washer 12 mm	50	61902047 38	Right side footrest
25	33270004 55	Bearing cap	51	61908046 97	Tool box
26	34510051 46	Bush	52	61913999 92	Badge
			53	61201036 37	Single seat

TABLE No 15 - MUDGUARDS - CABLES - HANDLEBAR

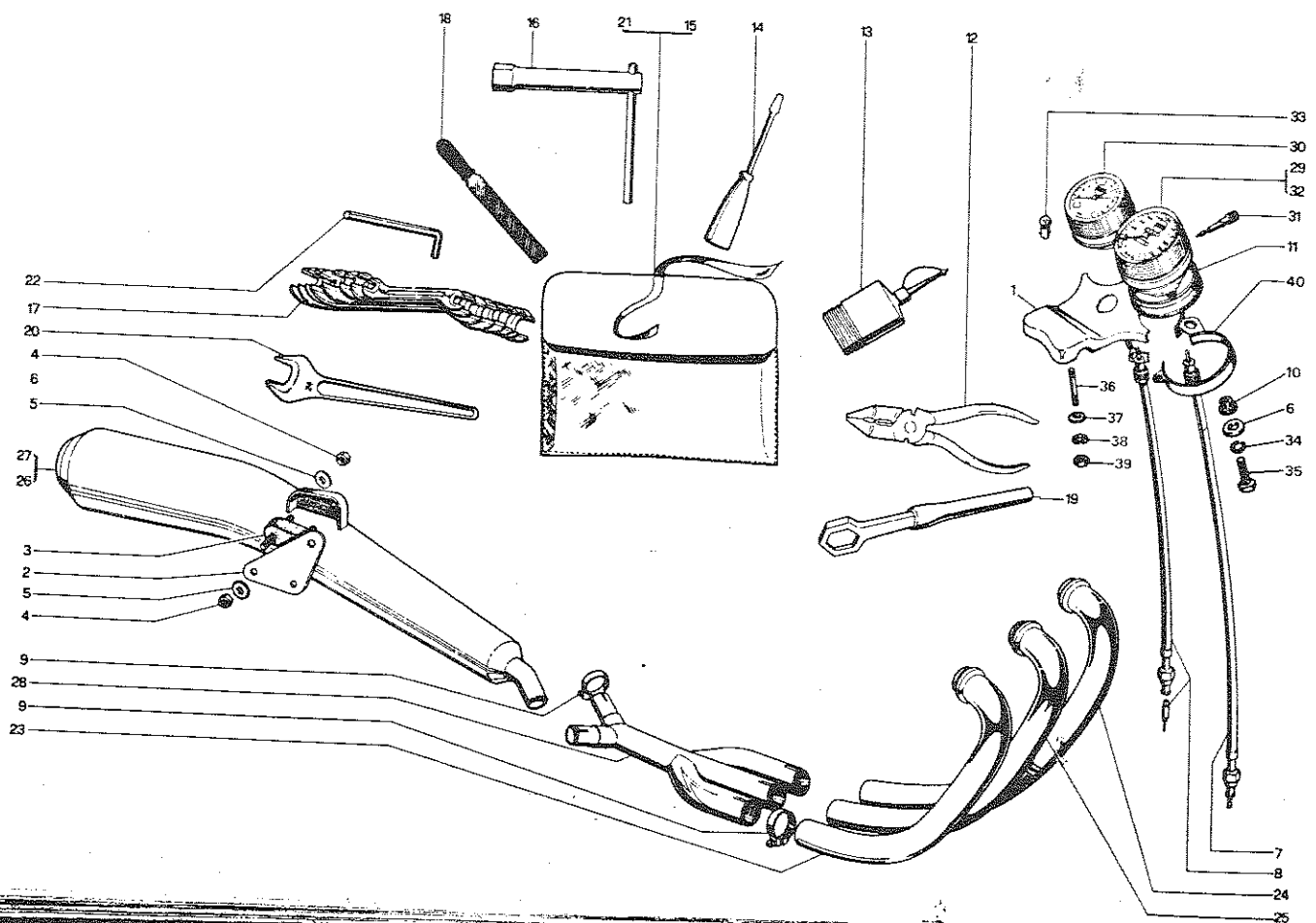


LAVARDA 1000 cc.

TABLE No 14 - REAR FORK - AIR FILTERS

Ref. Nr.	Code Nr.	Denomination	Ref. Nr.	Code Nr.	Denomination
1	21120079 13	Upper support	25	34400520 99	Split pin
2	21120080 23	Lower support	26	34510007 83	Spacer
3	21510310 85	Bush	27	34510020 15	Spacer
4	30212193 75	Bolt 6 x 55	28	34530002 89	Rear brake anchor strap
5	30212193 75	Bolt 6 x 55	29	36210111 69	Carburettor connection
6	30215173 85	Bolt 12 x 45	30	36210112 61	Carburettor connection right side
7	30215183 95	Bolt 12 x 50	32	50201035 25	Right side shock absorber
8	30238033 76	Bolt 5 x 14	33	50201036 26	Left side shock absorber
9	30434092 25	Bolt 10 x 22	34	50401073 83	Rubber strap
10	30490104 75	Bolt for chaintensioner	35	60301040 50	Rear fork
11	30510103 85	Nut 5 mm	36	61701051 02	Chain guard
12	30511243 46	Nut 12 mm	37	61706052 63	Right side cover
13	30512243 56	Nut 12 mm	38	61706053 64	Left side cover
14	30520203 87	Nut 10 mm	39	61913993 95	Cover badge
15	30531283 88	Selflocking nut 14 mm	40	61916052 84	< 1000 > - badge
16	31310101 64	Left side chain tensioner	41	61918051 13	Grease nipple
17	31310102 65	Right side chain tensioner	42	62101042 34	Air filter
18	33111020 74	Washer	43	62109037 09	Filter cover
19	33110710 52	Washer	44	62110044 27	Filter box
20	33113610 81	Washer	45	30510123 15	Nut 6 mm
21	33114140 35	Washer	46	33120006 42	Spring washer 6 mm
22	33120005 41	Spring washer	47	30530103 87	Selflocking nut 5 mm
23	33120012 57	Spring washer 12 mm	48	55110317 77	Rubber washer
24	34250203 55	Spindle 14 x 274	49	30238063 06	Bolt 5 x 20

TABLE No 16 - SILENCERS - INSTRUMENTS - TOOLS

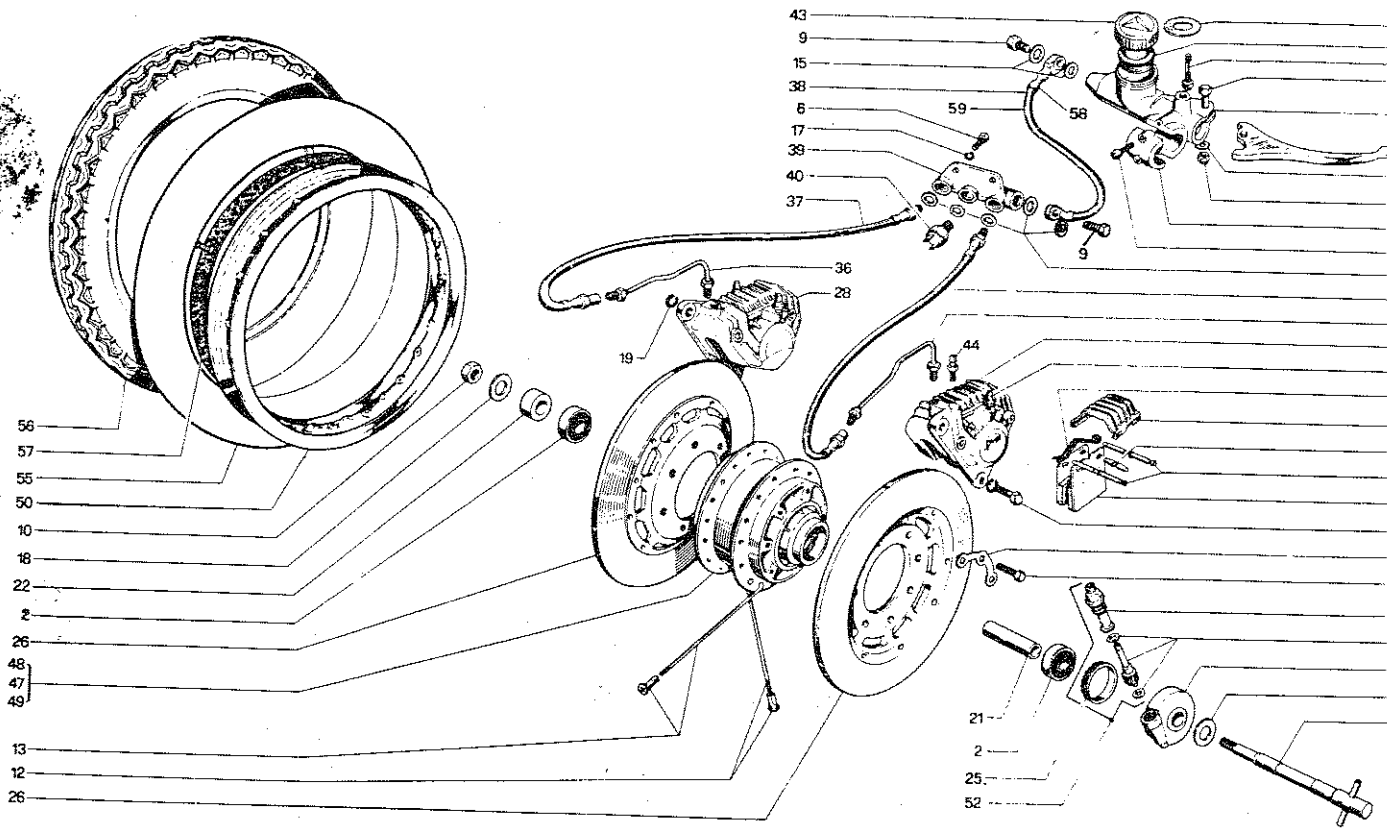


LAVERDA 1000 cc.

TABLE No 15 - MUDGUARDS - CABLES - HANDLEBAR

Ref. N.	Code Nr.	Denomination	Ref. Nr.	Code Nr.	Denomination
1	21112062 24	Front mudguard support	33	36110516 59	Clutch cable for adjustable handlebars
2	21128097 21	Throttle twist grip	34	36200306 56	Rubber bush
3	21128098 22	Light switch	35	40127081 23	Rear brake lever spindle
4	21132063 27	Brake tube support	36	43301016 99	Clutch lever
5	22801201 25	Ball 3/16"	37	43309070 53	Foot brake lever
6	30212123 95	Bolt 6 x 30	38	50120051 23	Spring
7	30232043 26	Bolt 6 x 12	39	50190202 64	Brake lever spring
8	30232063 46	Bolt 6 x 16	40	58200191 71	Rubber bellow
9	30232123 97	Bolt 6 x 30	41	58200193 73	Grommet
10	30233103 87	Bolt 8 x 25	42	58200195 75	Grommet
11	30233093 86	Bolt 8 x 22	43	60401003 23	Handlebars, high
12	30362083 79	Allen screw 6 x 20	44	60401045 65	Handlebars, adjustable
13	30490326 99	Adjusting screw	45	60401053 73	Handlebars, high, compl.
14	30490710 87	Screw 5 x 25	46	60401052 72	Handlebars, adjustable, compl.
15	30490323 96	Screw 6 x 21	47	60403046 86	Rubber grip, right
16	30510123 15	Nut 6 mm	48	60403048 88	Clutch control, compl.
17	30510163 55	Nut 8 mm	49	60404047 97	Rubber grip, left
18	30522123 36	Dome nut 6 mm	50	60406999 79	Choke lever
19	30530123 17	Selflocking nut 6 mm	51	60411044 65	Adjuster washer
20	30591618 15	Adjuster nut	52	47211024 93	Brake control, compl.
21	31220102 56	Cable support	53	60413043 84	Clutch lever support
22	33111010 64	Washer	54	61401005 26	Front mudguard
23	33120006 42	Spring washer 6 mm	55	61401034 55	Rear mudguard
24	33120008 44	Spring washer 8 mm	56	61905048 69	Cable connection
25	33611226 33	Rivet	57	36110418 50	Throttle cable, high handlebars
26	34400520 99	Split pin	58	21128105 29	Twist grip, high handlebars
27	36110214 54	Rear brake cable	59	21128104 28	Light switch, high handlebars
28	36110311 52	Upper choke cable	60	33113149 25	Nylon washer
29	36110312 53	Outer choke cables	61	33112040 14	Washer
30	36110313 54	Center choke cable	62	34510153 49	Spacer for front fender
31	36110417 59	Throttle cable, adjustable handlebars	63	58200102 72	Rubber grommet
32	36110507 40	Clutch cable for high handlebars			

TABLE No 17 - FRONT WHEEL

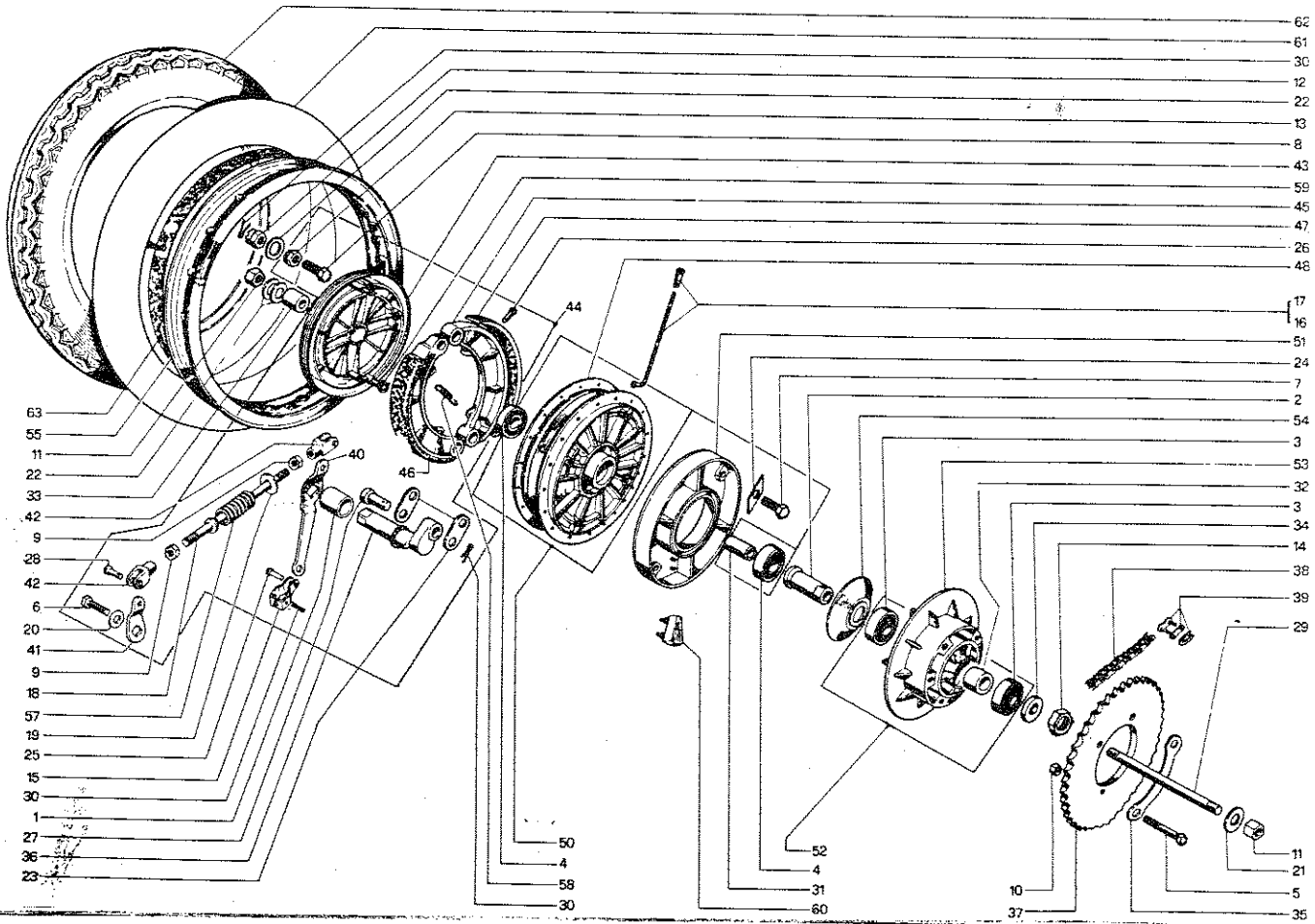


LAVERDA 1000 cc.

TABLE No 16 - SILENCERS - INSTRUMENTS - TOOLS

Ref. Nr.	Code Nr.	Denomination	Ref. Nr.	Code Nr.	Denomination
1	21114133 16	Instrument support complete	21	61809030 81	Tool-kit
2	21126084 87	Silencer support	22	61822030 03	Allen-key
3	21127085 98	Rubber support	23	63101040 33	Right side exhaust pipe
4	30530123 17	Nut 6 mm, selflocking	24	63101041 34	Left side exhaust pipe
5	33111010 64	Washer	25	63101042 35	Central exhaust pipe
6	33111060 24	Washer	26	63503078 32	Left side silencer
7	36120114 54	Speedometer cable	27	63503077 31	Right side silencer
8	36120210 51	Rev counter cable	28	63513079 34	Connection part
9	37121000 59	Clamp 35 mm	29	69004500 15	Speedometer (km/h)
10	50402030 50	Rubber support	30	69004300 13	Tachometer
11	50402008 28	Rubber ring	31	69000700 67	Zero setting pin
12	61801999 60	Pliers	32	69004400 14	Speedometer (miles/h)
13	61802998 79	Oil can	33	76104962 98	Instrument lamp
14	61803997 88	Screw driver	34	33120005 41	Spring washer Ø 5
15	61804996 97	Tool-kit bag	35	30238033 76	Bolt 5 x 14
16	61805029 31	Spark plug spanner	36	31123203 78	Stud 8 x 60
17	61806994 15	Spanner kit	37	33112080 54	Washer
18	61807993 34	File	38	33120008 44	Spring washer Ø 8
19	61808990 41	Spanner 36 mm	39	30510163 55	Nut 8 mm
20	61808992 43	Spanner 24 mm	40	37181300 59	Instrument support strip

TABLE No 18 - REAR WHEEL

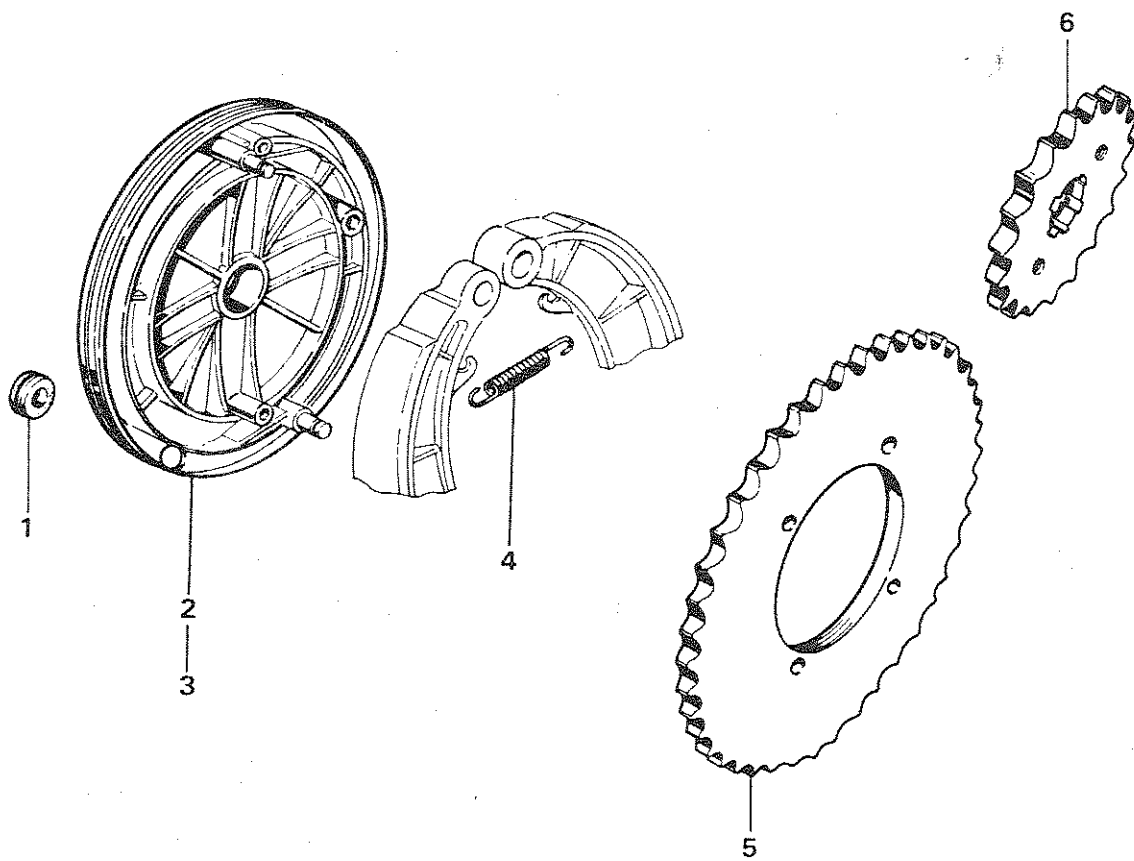


LAVERDA 1000 cc.

TABLE No 17 - FRONT WHEEL

Ref. N.	Code Nr.	Denomination	Ref. Nr.	Code Nr.	Denomination
1	21604009 31	Bush	30	47204005 13	Caliper cover
2	22108201 25	Ball bearing	31	47205006 24	Spring
3	25303011 96	Speedometer gear cover	32	47206008 36	Peg
4	30214143 45	Bolt 10x30	33	47206007 35	Peg
5	30233103 87	Bolt 8x25	34	47207009 47	Brake pad
6	30232123 97	Bolt 6x30	35	47208010 67	Right side metal tube
7	30362083 79	Allen screw 6x20	36	47208011 68	Left side metal tube
8	30490120 91	Brake lever bolt	37	47208038 86	Lower flexible hose
9	30490121 92	Banjo bolt	38	47208013 61	Upper flexible hose
10	30514323 57	Wheel spindle nut	39	47209037 95	Connection piece
11	30530123 17	Selflocking nut 6 mm	40	47210015 74	Stop light switch
12	31220210 65	Inner spoke	41	47212017 96	Master cylinder clip
13	31220211 66	Outer spoke	42	47213018 17	Rubber cover
14	33111120 75	Washer	43	47214019 28	Master cylinder cap
15	33113134 19	Copper washer	44	47214021 39	Bleeding valve
16	33115780 82	Washer.	45	43309030 03	Brake lever
17	33120006 42	Spring washer 6 mm	46	47216022 51	Adjuster screw
18	33115050 54	Washer	47	47501009 17	Hub
19	33120010 55	Spring washer 10 mm	48	47501055 63	Hub with bearings
20	34250104 55	Wheel spindle	49	47501056 64	Hub complete
21	34510017 93	Spacer	50	47507057 35	Rim WM3-18 4761
22	34510018 94	Spacer	51	47509058 56	Wheel compl. without tyre and discs
23	37181000 56	Locking strap	52	49001004 54	Speedometer gear set
	40126024 46	Speedometer gear shaft	53	55110227 86	Gasket
25	41112018 81	Crowngear	54	47211025 94	Master cylinder compl. without arm
26	47201001 78	Brake disc	55	61601022 63	Tube 4,00/4,60 - 18
27	47202002 89	Right side caliper	56	61602020 71	Tyre Dunlop TT 100 4,10 x 18"
28	47202003 81	Left side caliper	57	61603993 64	Rim band
29	47203004 92	Bleeder valve cap	58	47208026 74	Flex tube for high handlebars
			59	47208031 88	Flex hose for adj. handlebars in high position

TABLE No 19 - REAR WHEEL (u.s. variant)

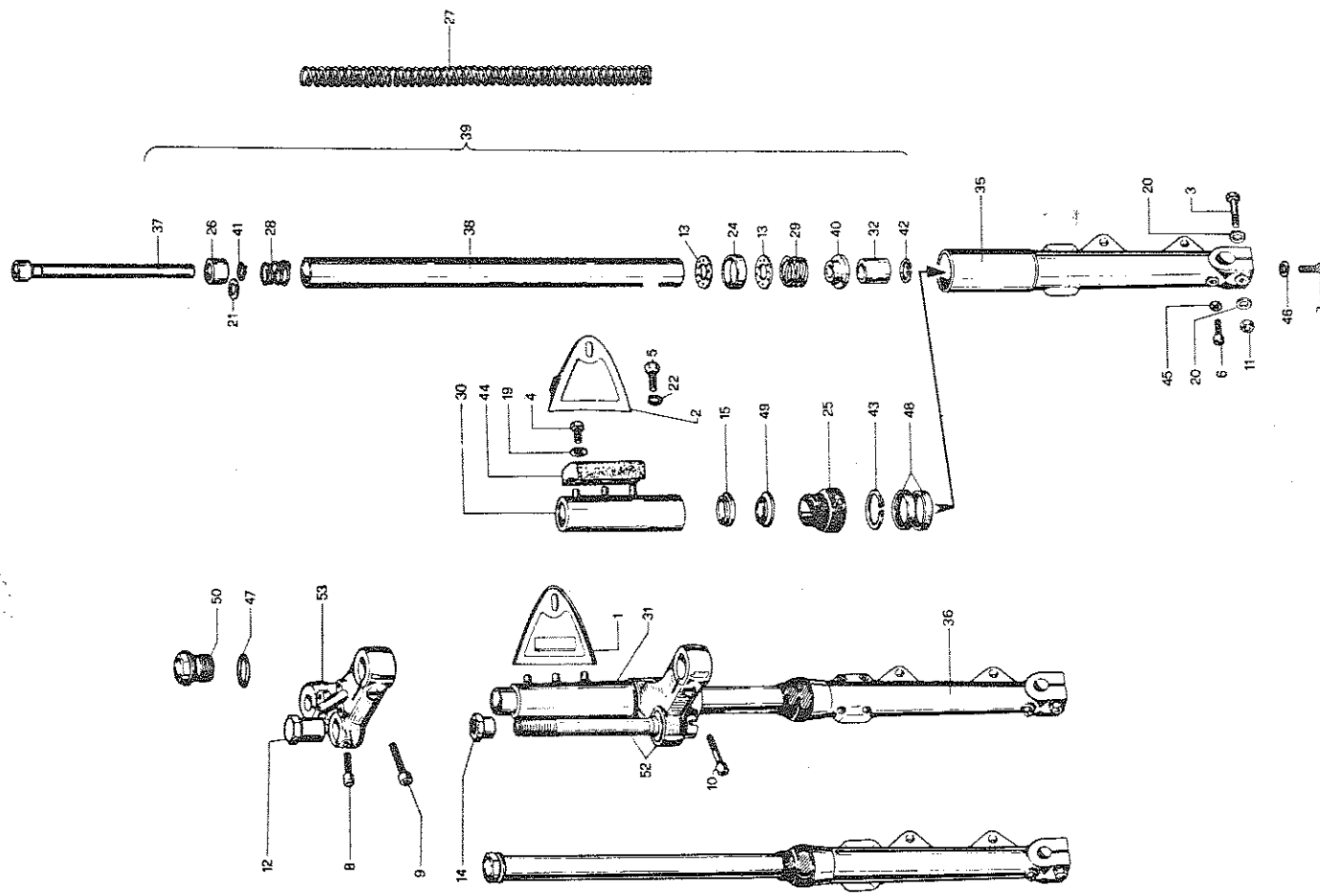


LAVERDA 1000 cc.

TABLE No 18 - REAR WHEEL

Ref. Nr.	Code Nr.	Denomination	Ref. Nr.	Code Nr.	Denomination
1	21510103 76	Bush	33	34510019 95	Spacer
2	21602012 23	Bush	34	34510014 99	Spacer
3	22104251 35	Ball bearing 25 x 52 x 15	35	37180600 43	Locking strap
4	22105171 64	Ball bearing 17 x 47 x 14	36	40125079 82	Swivel pin
5	30224163 66	Bolt 10 x 40	37	41211008 71	Chain sprocket 40 t.
6	30233063 56	Bolt 8 x 16	38	41311553 41	Chain 5/8 x 3/8" 106 pitches
7	30233103 87	Bolt 8 x 25	39	41391115 97	Chain link
8	30490105 76	Bolt 12 x 35	40	43310011 85	Brake arm, long
9	30510123 15	Nut 6 mm	41	43310014 88	Brake arm, short
10	30513203 26	Nut 10 mm	42	43702003 46	Fork
11	30514323 57	Nut 16 mm	43	47101006 64	Brake anchor plate
12	30521243 47	Locknut	44	47101007 65	Brake anchor plate complete
13	30590205 87	Nut	45	47102003 71	Brake shoe
14	30590301 84	Nut 25 mm	46	47102004 72	Brake shoe with lining
15	31220102 56	Cable clip	47	47103005 83	Brake lining
16	31220208 54	Outer spoke	48	47501001 18	Hub
17	31220209 55	Inner spoke	49	47501054 62	Hub complete w. plates
18	31220301 57	Rod	50	47501981 98	Hub with bearings
19	33111750 12	Washer	51	47503005 33	Shock absorber disc
20	33112150 25	Washer	52	47504006 44	Sprocket plate complete
21	33115050 54	Washer	53	47504980 37	Sprocket disc
22	33115061 65	Washer	54	47505010 67	Disc
23	33290004 57	Strap	55	47507997 75	Rim WM3-18 4613
24	33290005 58	Locking washer	56	47509013 01	Wheel complete without tyre
25	33611226 33	Peg	57	50120008 61	Spring
26	33630718 13	Brake lining rivet	58	50190101 62	Spring
27	34210107 54	Spindle	59	50310124 16	Circlip Ø 12
28	34220305 55	Peg	60	50405012 62	Rubber shock absorber
29	34250202 54	Wheel spindle	61	61601022 63	Tube 4,00/4,60 - 18
30	34400520 99	Split pin	62	61602020 71	Tyre Dunlop TT100 4,25 H 18"
31	34510011 96	Spacer	63	61603993 64	Rim band
32	34510012 97	Spacer			

TABLE No 20 - FRONT FORK

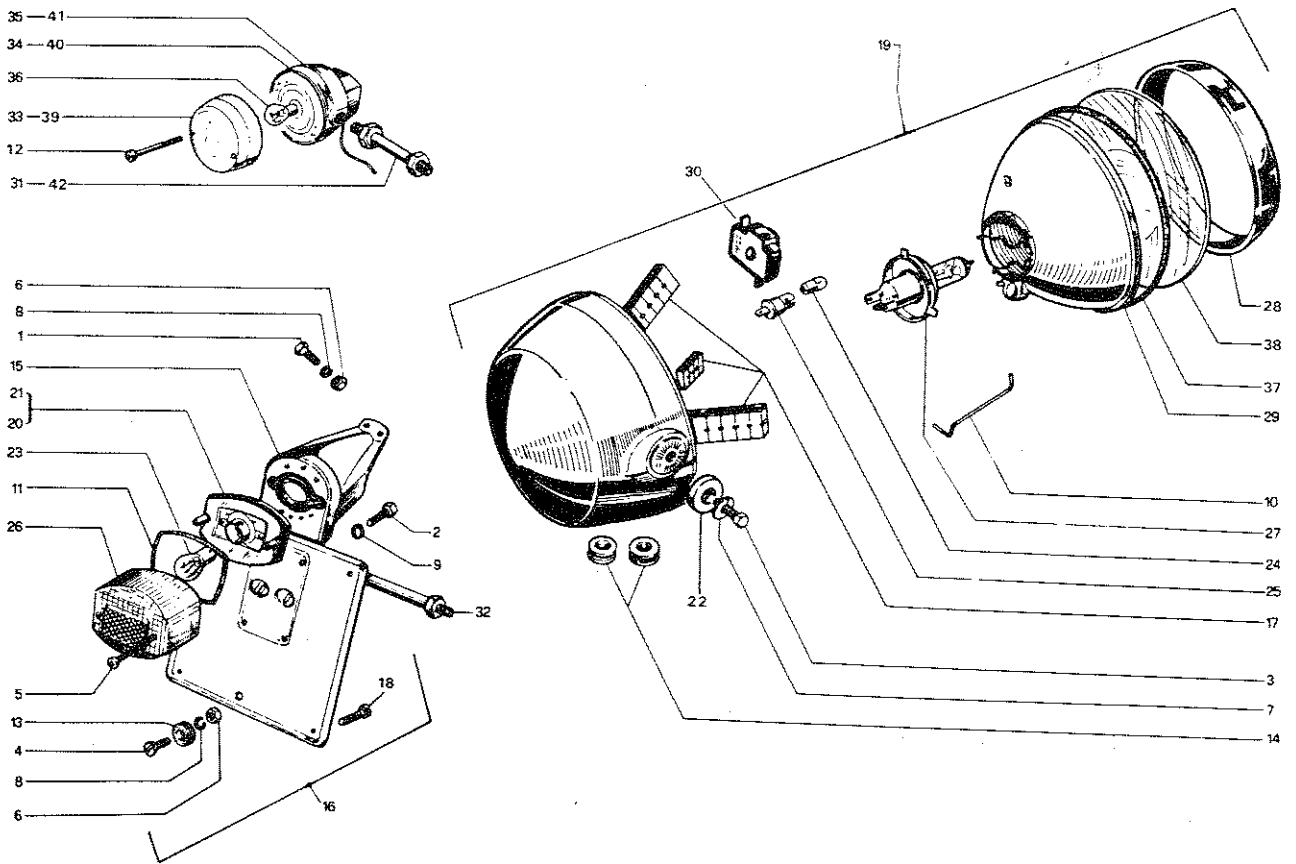


LAVERDA 1000 cc.

TABLE No 19 - REAR WHEEL (u.s. variari

Ref. Nr.	Code Nr.	Denomination	Ref. Nr.	Code Nr.	Denomination
1	58000202 53	Inspection hole rubber plug	5	41211009 72	Rear chain sproket, 42 T
2	47101011 78	Brake anchor plate, drilled for brake lining inspection	6	41211074 56	Gearbox chain sprocket, 18 T
3	47101017 75	Brake anchor plate, complete	7	47501046 54	Rear hub, complete
4	50190104 65	Return spring			

TABLE No 21 - HEADLAMP - TAIL LAMP

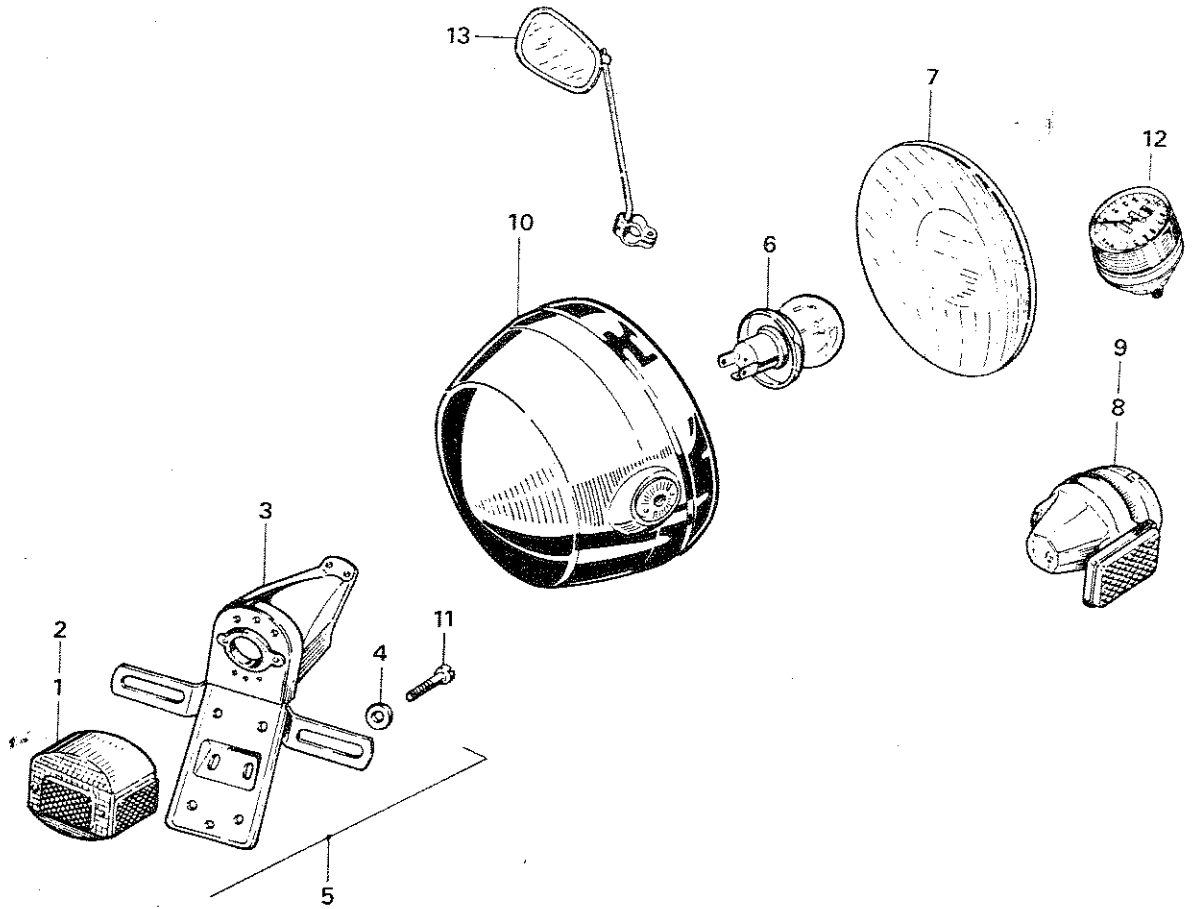


LAVERDA 1000 cc.

TABLE No 20 - FRONT FORK

Ref. Nr.	Code Nr.	Denomination	Ref. Nr.	Code Nr.	Denomination
1	21121076 29	LHS headlamp support	30	50203061 71	RHS leg cover
2	21121077 21	RHS headlamp support	31	50203062 72	LHS leg cover
3	30213213 96	Bolt 8 x 65	32	50206058 98	Valve body
4	30232043 26	Bolt 6 x 12	33	50204059 79	RHS outer leg
5	30232063 46	Bolt 6 x 16	34	50204060 80	LHS outer leg
6	30362033 29	Drain screw	35	50207063 23	RHS complete leg
7	30363083 89	Allen screw 8 x 20	36	50207064 24	LHS complete leg
8	30363123 21	Allen screw 8 x 30	37	50208055 25	Variator
9	30364143 51	Allen screw 10 x 35	38	50209056 36	Inner tube
10	30364163 71	Allen screw 10 x 40	39	50209065 45	Inner tube complete
11	30510163 55	Nut 8 mm	40	50214057 78	Valve base ring
12	30590231 23	Fork yoke nut	41	50310134 26	Circlip Ø 17 ext.
13	30620312 17	Valve ring	42	50310269 53	Circlip Ø 35 int.
14	30620399 95	Steering bearing adj. nut	43	50310298 82	Circlip Ø 50 int.
15	30620311 16	Ring	44	50401005 15	Rubber support
19	33111750 12	Washer	45	55110606 69	Fibre washer
20	33112080 54	Washer	46	55110708 63	Fibre washer
21	33115100 95	Washer	47	55130026 85	O-ring
22	33120006 42	Spring washer 6 mm	48	55217650 03	Oil seal 38 x 50 x 7
24	34510055 41	Spacer	49	55290999 75	Rubber ring
25	36210214 64	Rubber seal	50	58010111 62	Plug
26	43505046 99	Piston	51	60201050 50	Front fork complete
27	50120056 28	Spring	52	60204048 78	Lower fork yoke
28	50120057 29	Spring	53	60208049 29	Upper fork yoke
29	50120058 21	Spring			

TABLE No 22 - HEADLIGHT - TAILLIGHT (u.s. version)

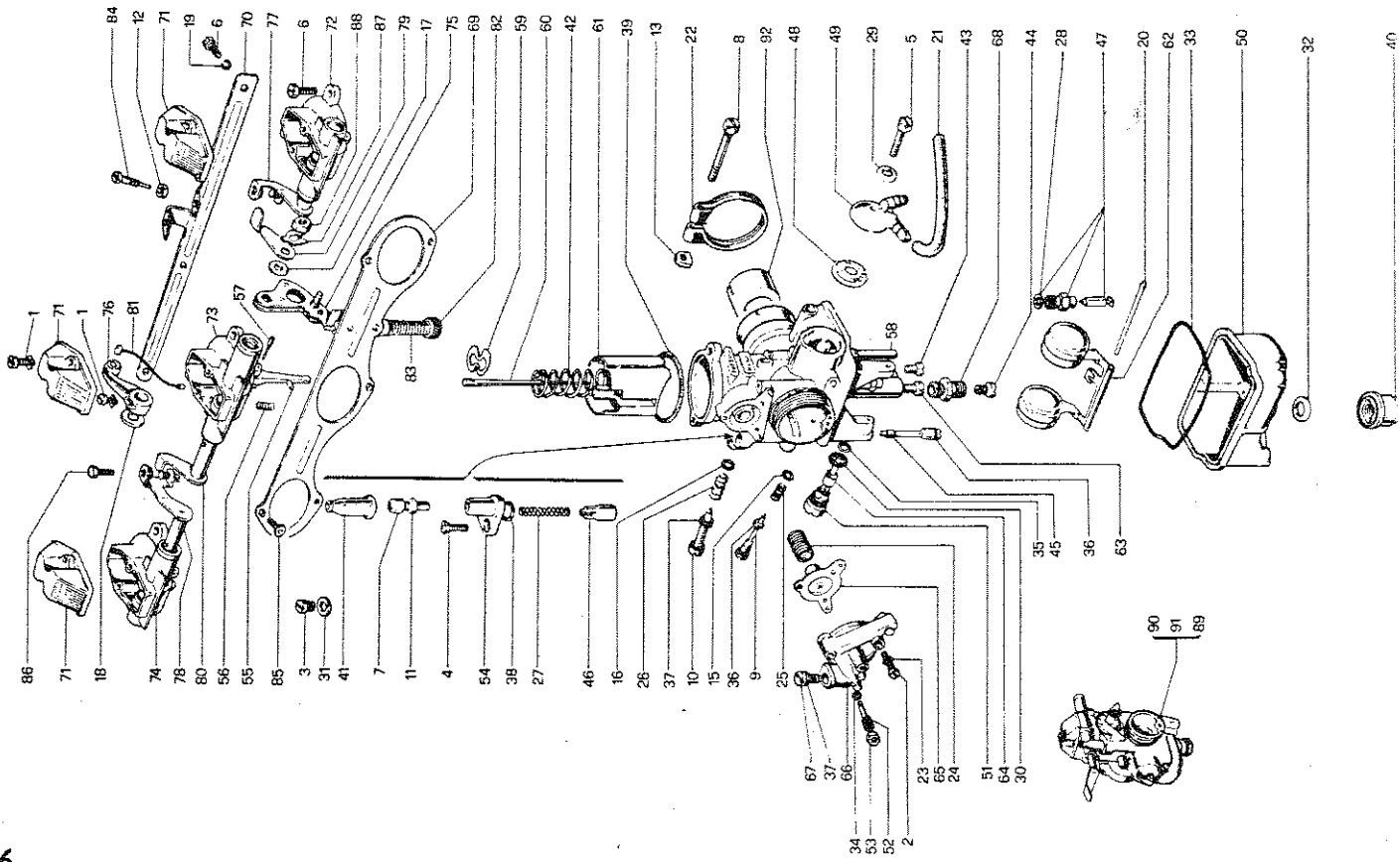


LAVERDA 1000 cc.

TABLE No 21 - HEADLAMP - TAIL LAMP

Ref. Nr.	Code Nr.	Denomination	Ref. Nr.	Code Nr.	Denomination
1	30232043 26	Bolt 6 x 12	22	34510056 42	Spacer
2	30232083 66	Bolt 6 x 20	23	76104969 96	Taillight bulb
3	30233123 17	Bolt 8 x 25	24	76104979 06	Parking light bulb
4	30332061 54	Screw 6 x 16	25	76106017 64	Bulb holder
5	30490327 90	Screw for taillight lens	26	76107046 03	Taillight lens
6	30510123 15	Nut 6 mm	27	76104016 43	Headlamp bulb
7	33112030 94	Washer	28	76113054 72	Lamp rim
8	33120006 42	Spring washer 6 mm	29	76112053 61	Headlamp reflector
9	33131006 53	Spring washer 6 mm	30	76115958 96	Headlamp bulb connection
10	50190698 65	Spring	31	21119269 94	Front turn signal support
11	55120066 34	Gasket	32	21119270 04	Rear turn signal support
12	30490708 76	Turn signal lens screw	33	76107023 89	Lens, amber
13	58200193 73	Grommet	34	76119157 46	Turn signal complete
14	58200197 77	Grommet	35	76119159 48	Turn signal set
15	61914994 06	Numberplate holder	36	76104038 65	Lamp bulb
16	61915053 75	Numberplate holder w tail light	37	55120067 35	Gasket
17	71201001 12	Terminal board set	38	76114061 98	Headlamp glass
18	30318043 94	Screw 5 x 16	39	76107163 31	Turn signal lens, white
19	76101049 46	Headlamp complete	40	76119158 47	Turn signal, complete, white
20	76102048 55	Taillight complete	41	76119170 68	Turn signal set (Germany)
21	76103047 64	Taillight reflector	42	21119278 93	Turn signal support (Germany)

TABLE No 23 - CARBURETTOR



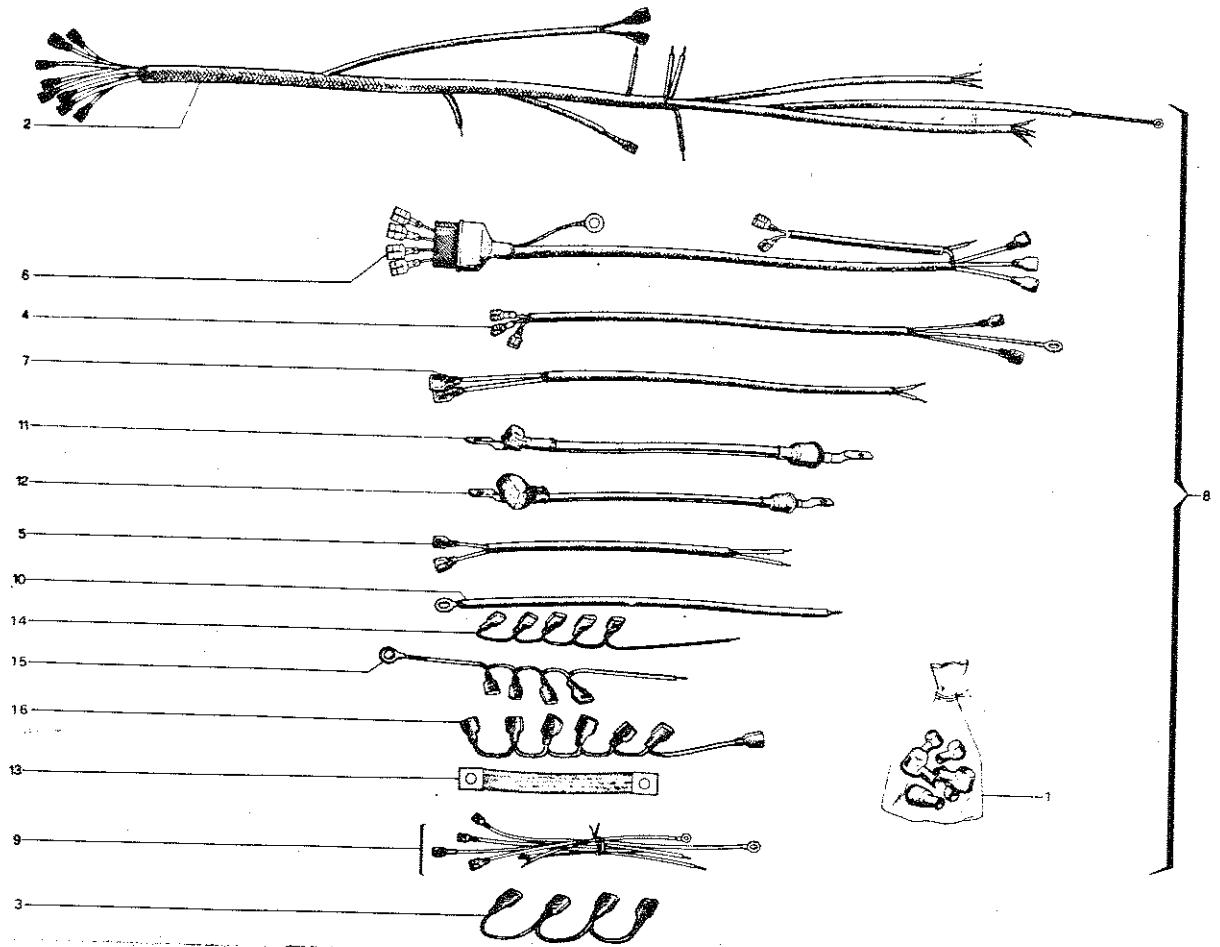
LAVERDA 1000 cc.

TABLE No 22 - HEADLIGHT - TAILLIGHT (u.s. version)

Ref. Nr.	Code Nr.	Denomination	Ref. Nr.	Code Nr.	Denomination
1	76107051 27	Taillight lens	7	76114062 99	Lamp glass
2	76102055 62	Taillight complete	8	76119161 59	Turn signal with reflector
3	61914198 02	Numberplate holder	9	76119164 53	Complete set turn signals
4	33110720 62	Turnsignal support spacer	10	76101056 53	Headlamp complete
5	61915057 79	Numberplate holder w. taillight	11	30490301 74	Screw 5 x 23
6	76104006 33	Headlamp bulb 40/45 W.	12	69004400 14	Speedometer, miles/hour
			13	61927032 75	Mirror

TABLE No 24 - ELECTRICAL CABLES

TAI



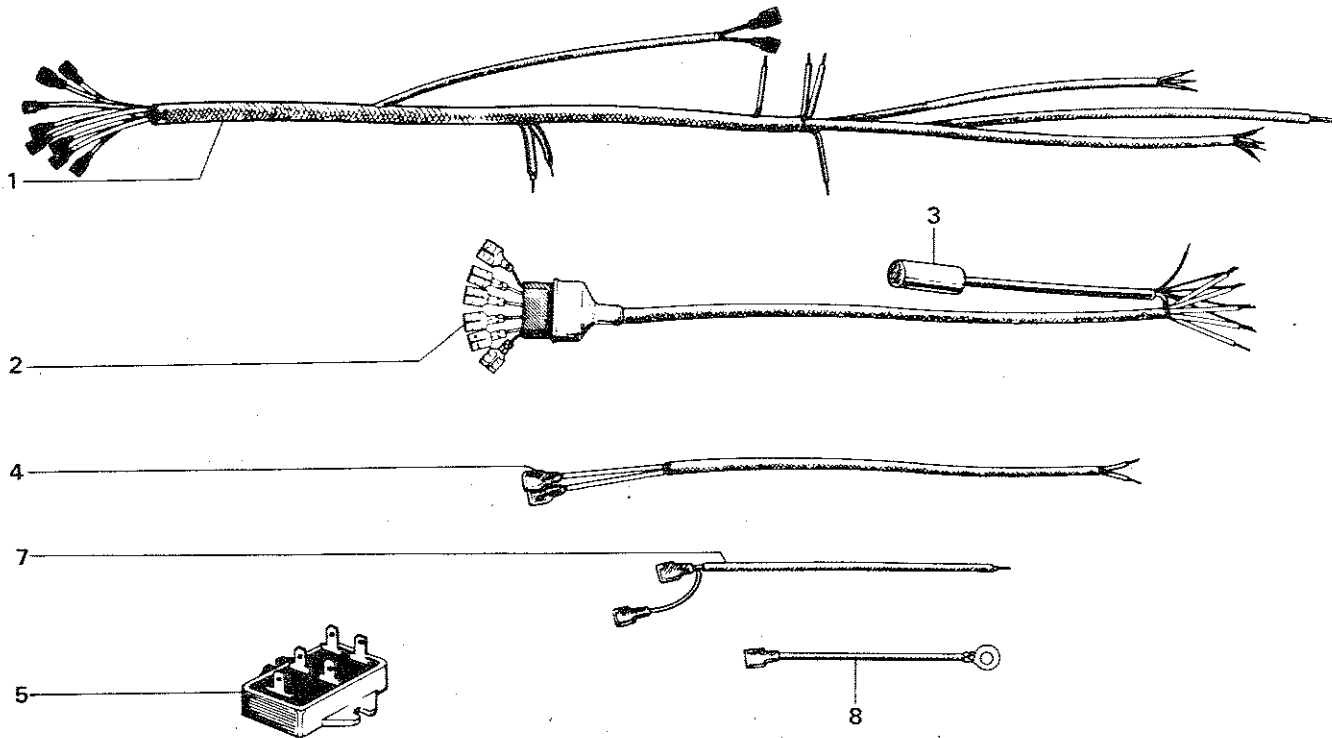
LAVERDA 1000 cc.

TABLE No 23 - CARBURETTOR

Ref. Nr	Code Nr	Denomination	Ref. Nr	Code Nr	Denomination	Ref. Nr	Code Nr	Denomination
1	30311063 44	Screw 4 x 15	32	55110519 72	Gasket	63	62500071 93	Spray nozzle
2	30311093 74	Screw 4 x 22	33	55120999 67	Gasket	64	62500072 94	Acceleration pump jet
3	30318013 64	Screw	34	55130000 68	Gasket	65	62500073 95	Pump diaphragm
4	30331053 36	Screw 4 x 14	35	55130001 69	Sealing ring	66	62500074 96	Acceleration pump house
5	30422173 76	Bolt 6 x 18	36	55130002 61	Sealing ring	67	62500075 97	Pump jet
6	30428043 05	Bolt 5 x 16	37	55130004 63	Sealing ring	68	62500076 98	Main jet support
7	30490198 79	Cable adjusting screw	38	55130007 66	Gasket	69	62500077 99	Carburettor support
8	30490199 70	Bolt 6 x 35	39	55130037 96	O-ring gasket	70	62500078 91	Cable support
9	30490299 72	Mixture adj. screw	40	58020111 63	Float chamber cap	71	62500079 92	Cover
10	30490399 73	Throttle stop screw	41	58100115 75	Rubber cap	72	62500080 02	Right side carb. cover
11	30510103 85	Nut 6 x 3	42	62500100 23	Spring	73	62500081 03	Central carb. cover
12	30511103 95	Nut 5 mm	43	62500011 33	Idle jet	74	62500082 04	Left side carb. cover
13	30590298 80	Nut	44	62500012 34	Main jet	75	62500083 05	Throttle cable segment
14	33110110 55	Washer	45	62500017 39	Start jet	76	62500084 06	Lifter arm
15	33110140 85	Plain washer	46	62500020 42	Choke valve	77	62500085 07	Right side lifter shaft
16	33110660 11	Plain washer	47	62500021 43	Float needle	78	62500086 08	Left side lifter shaft
17	33113100 75	Distance washer	48	62500022 44	Petrol filter	79	62500087 09	Lifter arm
18	33113128 94	Washer	49	62500023 45	Connection	80	62500088 01	Central lifter shaft
19	33120005 41	Spring washer 5 mm	50	62500031 53	Float chamber	81	62500089 02	Throttle lifter string
20	34220199 57	Spindle	51	62500032 54	Acceleration jet screw	82	62500090 22	Adjuster screw
21	36200215 64	Connection tube	52	62500033 55	Acc. pump adj. screw	83	62500091 23	Spring
22	37120800 48	Clamp	53	62500034 56	Nut	84	62500092 24	Cable segment stop screw
23	33170009 40	Washer	54	62500035 57	Choke valve cover	85	62500093 25	Allenscrew 5 mm
24	50120048 11	Spring	55	62500036 58	Acc. pump arm	86	62500094 26	Screw 5 x 16
	50120993 65	Spring	56	62500037 59	Spring	87	62500095 27	Locking washer
	50120994 66	Spring	57	62500038 51	Peg	88	62500096 28	Nut
	50120995 67	Spring	58	62500039 52	Valve	89	62500097 29	Right side carb. PHF32AD
28	55110202 61	Float needle gasket	59	62500065 87	Needle clip	90	62500098 21	Left side carb. PHF32AS
29	55110506 68	Gasket	60	62500066 88	Needle	91	62500099 22	Central carb. PHF32AD
30	55110512 74	Gasket	61	62500067 89	Throttle valve	92	55290015 80	Sealing ring
31	55110516 78	Gasket	62	62500068 81	Float	93	62500101 24	Carburettor set compl.

TA

TABLE No 25 - ELECTRICAL CABLES (U.S. version)

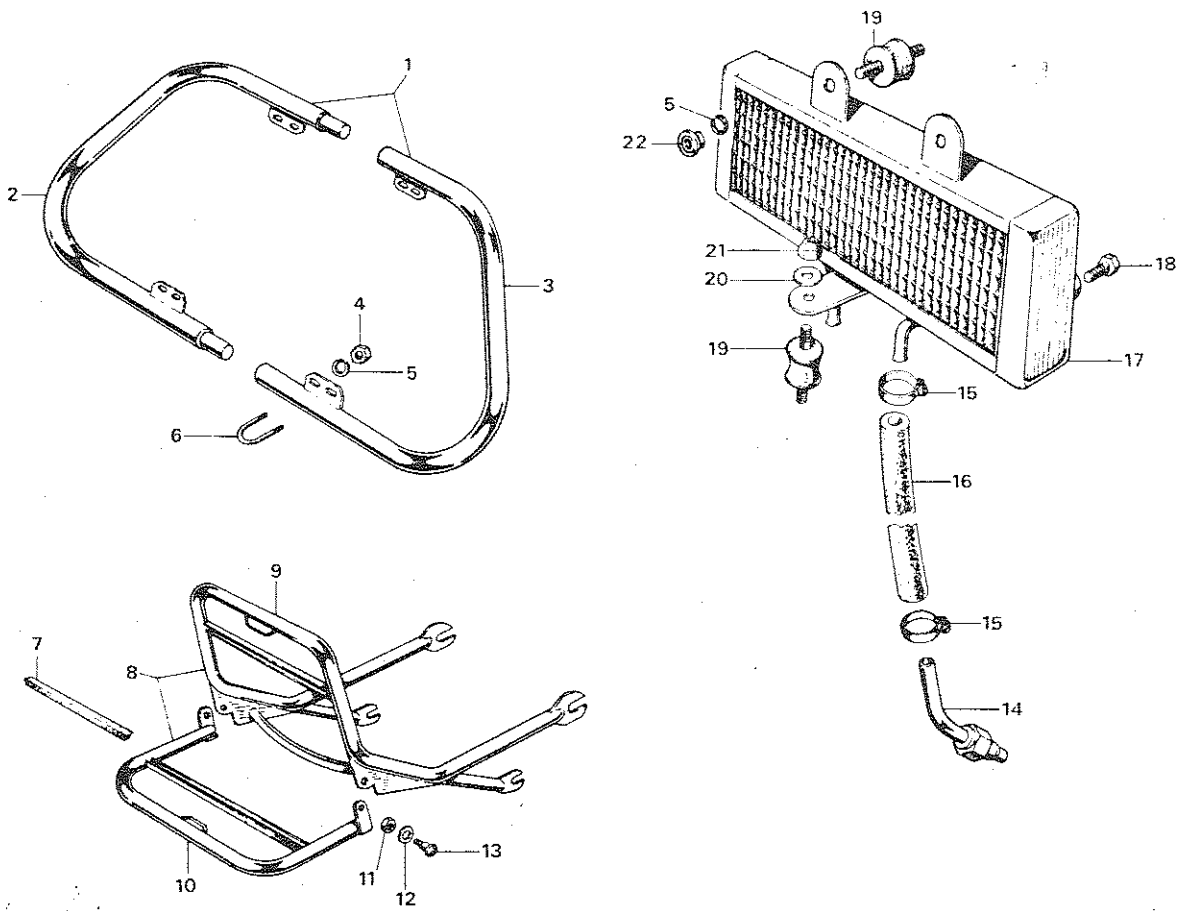


LAVERDA 1000 cc.

TABLE No 24 - ELECTRICAL CABLES

Ref. Nr.	Code Nr.	Denomination	Ref. Nr.	Code Nr.	Denomination
1	58100310 72	Rubber cap set	9	71101990 91	Cable set
2	71101103 95	Main cables	10	71102079 81	Cable battery - fuse box
3	71101108 91	Terminal board cable	11	71102080 91	Cable starter relay - starter engine
4	71101086 87	Cable headlamp - horn	12	71102081 92	Cable starter relay - battery
5	71101100 92	Cable rectifier - fuse box	13	71103013 34	Ground strap
6	71101118 11	Cables flywheel terminals - distr. box	14	71101109 92	Cables between headlamp connections 58
7	71101092 93	Cables flywheel terminals - rectifier	15	71102107 19	Cables between headlamp connections 31
8	71101110 12	Cable harness, compl.	16	71102171 83	Cable headlamp terminals - flasher

TABLE No 26 - OIL COOLER AND ACCESSORIES



LAVERDA 1000 cc.

TABLE No 25 - ELECTRICAL CABLES (U.S. version)

Ref.	Code Nr.	Denomination	Ref. Nr.	Code Nr.	Denomination
1	71101114 16	Main cables	5	73401025 58	Rectifier
2	71101112 14	Cables terminal strap - distribution box	6	71101115 17	Complete cable set
3	71305027 88	Emergency switch relay	7	71101116 18	Cable rectifier - battery +
4	71101113 15	Cables terminal strap - rectifier	8	71102117 29	Cable rectifier - battery -

LAVERDA 1000 cc.

TABLE No 26 - OIL COOLER AND ACCESSORIES

Ref. Nr.	Code Nr.	Denomination	Ref. Nr.	Code Nr.	Denomination
1	61708064 95	Safety bar, complete	12	33112780 52	Washer
2	61704060 51	Safety bar, left side	13	30490307 70	Screw
3	61704059 41	Safety bar, right side	14	36210212 62	Hose connection
4	30510123 15	Nut, 6 mm	15	37110100 49	Hose clamp
5	33120006 42	Spring washer, 6 mm	16	36200117 65	Oil hose
6	61713055 37	U-clamp	17	61940055 21	Oil cooler
7	50401019 29	Rubber strap	18	30233053 46	Bolt 8 x 14
8	61302051 72	Luggage carrier, compl.	19	21127058 62	Rubber support
9	61302050 71	Luggage carrier, fixed part	20	33111010 64	Washer
10	61303003 34	Luggage carrier, folding part	21	30530123 17	Selflocking nut; 6 mm
11	30590206 88	Special nut	22	21608105 77	Bushing for rubber support

INHALTSVERZEICHNIS

Einführung	Seite 2	Table 8 - Gear selector mechanism ..	Seite
Technische Daten	Seite 2	Table 9 - Gear change and brake levers	
Einfahrsvorschriften	Seite 5	(with left side gear change). "	
Wartung	Seite 7	Table 10 - Electric equipment	Seite
Arbeiten, bei denen der Aus-		Table 11 - Electronic plate	Seite
bau des Motors aus dem Rah-		Table 12 - Starter engine	Seite
men notwendig ist	Seite 19	Table 13 - Frame	Seite
Bedienung	Seite 35	Table 14 - Rear fork - Air filters .	Seite
Wartung der Scheibenbrems-		Table 15 - Mudguards, Cables, Handlebar "	
anlage	Seite 35	Table 16 - Silencers, Instruments, Tools "	
Bremsfehler und Ursachen ..	Seite 39	Table 17 - Front wheel	Seite
Electric wiring diagram ...	Seite 40	Table 18 - Rear wheel	Seite
Vergaser - Einstellung	Seite 42	Table 19 - Rear wheel US variant ...	Seite
Tolerances	Seite 44	Table 20 - Front fork	Seite
Ersatzteile	Seite 51	Table 21 - Headlamp-Tail lamp	Seite
Table 1 - Cylinder head ...	Seite 52	Table 22 - Headlight, Taillight US .	Seite
Table 2 - Crankcase	Seite 54	Table 23 - Carburettor	Seite
Table 3 - Crankshaft	Seite 56	Table 24 - Electrical cables	Seite
Table 4 - Camshafts-Valves.	Seite 58	Table 25 - Electrical cables US	Seite
Table 5 - Oil pump	Seite 60	Table 26 - Oil cooler and accessories "	
Table 6 - Gearbox	Seite 62		
Table 7 - Clutch	Seite 64		